



# RP44

## Pendant

The Regolo LED pendant series is a nominal 4" profile unit. The slender design is ideal for corridors, open and private offices, classrooms, lobbies and general purpose rooms.

**Construction:** The housing is a hybrid of extruded aluminum side rails and formed 20 gauge cold rolled steel. Housing standard finish is electrostatically applied textured white powder coat paint. Optional silver, black or custom color paint finishes.

**Reflector / Driver:** Reflector / driver cover is finished with high reflectance white paint. Optional asymmetric semi-specular aluminum reflector. Standard constant current electronic driver with 0-10V dimming input; dimming range from 100% down to 1%. Universal (UNV) voltage is from 120 - 277V, 50/60 Hz.

**Direct Light Shielding:** Extruded frosted or satin white acrylic snap-in lens with DR. Consult factory for uplight shielding.

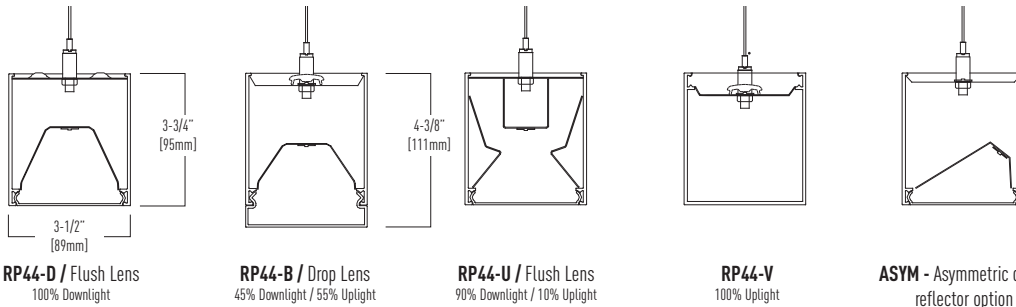
**LED Module:** Distributed LED array in a variety of lumen output packages. LED color is available in 3000K, 3500K or 4000K and in 80CRI or 90CRI. Module is replaceable. L90 > 100,000 hrs.

**Mounting:** Aircraft cable suspended, individual mount or continuous runs.

**Labels:** ETL listed, conforms to UL Standard 1598 / 8750 and CSA Standard C22.2, Damp location.

**Warranty:** 5-year limited warranty on LED and Driver.

**Quick Ship:** 10 Day lead times for options highlighted in orange. Only available in 4' and 8' individuals, and for continuous available in increments of 4'. 1000' maximum order size.



**ORDERING INFORMATION** / Example: RP44-B-05-05-L35-U-D02-FRF-WH-T1-48-8

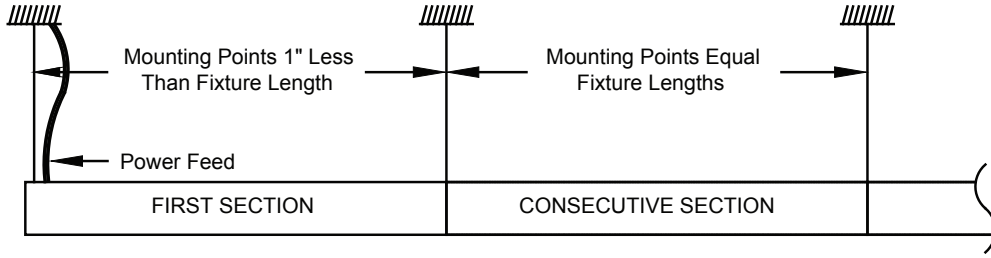
RP44	SERIES	LIGHT DIST	LUMENS / DOWN <sup>3</sup>	LUMENS / UP <sup>3</sup>	CRI/ CCT	VOLTAGE	DRIVER
RP44 <sup>1</sup> - Pendant linear LED luminaire system.	<b>D</b> - Direct (100% downlight)	<b>03</b> <sup>13</sup> - 300 lm/ft <b>05</b> <sup>13</sup> - 500 lm/ft	<b>03</b> <sup>13</sup> - 300 lm/ft <b>05</b> <sup>13</sup> - 500 lm/ft	<b>L30</b> - 80 CRI, 3000K <b>L35</b> - 80 CRI, 3500K <b>L40</b> - 80 CRI, 4000K <b>L50</b> - 80 CRI, 5000K <b>H30</b> - 90 CRI, 3000K <b>H35</b> - 90 CRI, 3500K <b>H40</b> - 90 CRI, 4000K <b>TW</b> - 90 CRI, 2700-6000K	<b>U</b> - Universal <b>1</b> - 120 volt <b>2</b> - 277 volt	<b>Dimming 0-10V</b> <b>D</b> <sup>6</sup> - Dims to 1% (Standard) <b>DO</b> <sup>6</sup> - Dims to 1%, fade to off <b>D02</b> - Eldoled Solodrive, dims to 0% <b>TW10</b> - 0-10v Tunable white driver	<b>Lutron Dimming</b> <b>L11</b> - Lutron HiLume™ Premier, dims to 0.1% <b>L12</b> - Lutron HiLume™ 2-Wire 120V Forward Phase, dims to 1% <b>L15</b> - Lutron HiLume™ H-Series, dims to 1% <b>L16</b> - Lutron HiLume™ 5-Series, dims to 5%
<b>OS-RP44</b> <sup>1</sup> - Quick Ship 10-Day lead time	<b>B</b> <sup>2</sup> - Bi-Direct (55% uplight/ 45% downlight) <b>U</b> <sup>11</sup> - Uplight (10% Uplight/ 90% Downlight) <b>V</b> <sup>1</sup> - Indirect (100% Uplight)	<b>06</b> - 600 lm/ft <b>09</b> - 900 lm/ft <b>10</b> - 1000 lm/ft	<b>06</b> - 600 lm/ft <b>09</b> - 900 lm/ft <b>10</b> - 1000 lm/ft			<b>DALI Dimming</b> <b>ELE</b> - Eldoled Ecodrive, dims to 1% <b>ELS</b> - Eldoled Solodrive, dims to 0% <b>TWDA</b> - DALI Tunable white driver	

CIRCUIT	SHIELDING	COLOR	MOUNTING	SUSPENSION LENGTH	LENGTH	OPTIONS <sup>5</sup>
<b>1C</b> - Single Circuit <b>1E</b> - Single Circuit w/ EM Circuit <b>1B</b> - Single Circuit w/ Battery Pack <b>2C</b> <sup>7</sup> - Dual Circuit <b>2E</b> <sup>7</sup> - Dual Circuit w/ EM Circuit <b>2B</b> <sup>7</sup> - Dual Circuit w/ Battery Pack <b>CEC</b> - CEC Compliant (10W Battery Pack)	<b>FRF</b> - Frosted Flush Lens <b>FRD</b> - Frosted Drop Lens (Opaque Ends) <b>FRL</b> - Frosted Drop Lens (Luminous Ends) <b>STF</b> - Satin White Flush Lens <b>STD</b> - Satin White Drop Lens (Opaque Ends) <b>STL</b> - Satin White Drop Lens (Luminous Ends)	<b>WH</b> - White painted finish <b>SV</b> - Silver Painted Finish <b>BK</b> - Black painted finish <b>CC</b> - Custom Color	<b>T1</b> <sup>8</sup> - Aircraft Cable to 1" Grid <b>T9</b> <sup>8</sup> - Aircraft Cable to 9/16" Grid <b>TS</b> <sup>8</sup> - Aircraft Cable to slotted Grid <b>SR</b> <sup>8</sup> - Aircraft Cable to structure add "B" after ordering code for black canopy and power cord	<b>48</b> - 48" Adjustable Aircraft Cable <b>120</b> - 120" Adjustable Aircraft Cable	<b>2</b> - 2 ft <b>3</b> - 3 ft <b>4</b> - 4 ft <b>5</b> - 4 ft <b>6</b> - 4 ft <b>7</b> - 4 ft <b>8</b> - 8 ft <b>XX</b> <sup>9</sup> - specify run lengths in 1' increments (OS 4' increments), consult factory for custom lengths	<b>BW</b> - "Batwing" uplight optics (RP44-B only) <b>DSOS</b> <sup>10</sup> - Combined daylight and occupancy sensor <b>GLR</b> - Fusing <b>ASYM</b> <sup>12</sup> - Asymmetric reflector direct

**NOTES:**  
 1. Some products are DesignLights Consortium™ Qualified, refer to www.designlights.org Qualified Products List.  
 2. Standard Watts per Foot: (03) 5.85W/ft, (05) 8.65W/ft, (06) 11.28W/ft, (09) 14W/ft, (10) 16.6W/ft. For Bidirectional with not the same output, specify lumen package down / lumen package up (ie. 05DN/09UP-L35).  
 3. No lens is standard for Indirect distribution. Consult factory for lens option.  
 4. Nominal lumen output per foot for frosted lens and 3500K.  
 5. Standard driver, don't connect low-voltage wires for non-dimming applications. Consult factory for specifications and manufacturer.  
 6. Consult factory for specifications and manufacturer.

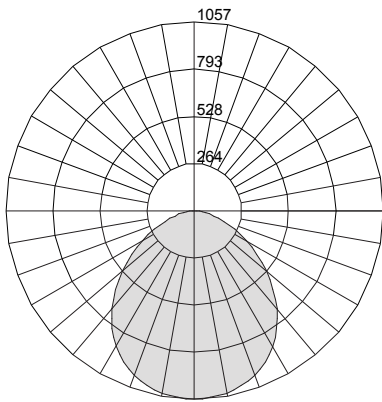
**NOTES (Continued)**  
 7. Bidirectional ONLY. When ordered w/ Dimming, luminaire has dual driver circuits w/ dual dimming zones.  
 8. 5" diameter power canopy and 2" diameter non-power canopy, see page 4.  
 9. 6" increments are common custom lengths. We can provide custom run length down to the nearest (+/-) 1/8".  
 10. Not available with Drop Lens.  
 11. Only available in 1 foot increments.  
 12. Asymmetric reflector for Direct component with Frosted Flush lens. Not available in "U" or "V" distributions.  
 13. Light level 03/03 and 05/05 only require 1 driver per 4' section, all other configs require 2 drivers



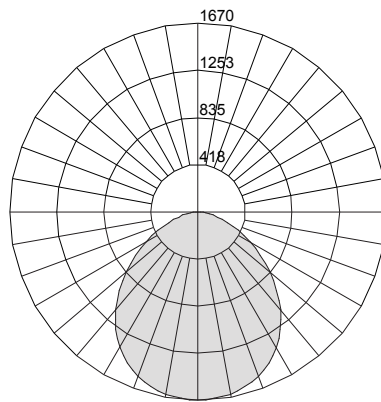


Photometric Curves

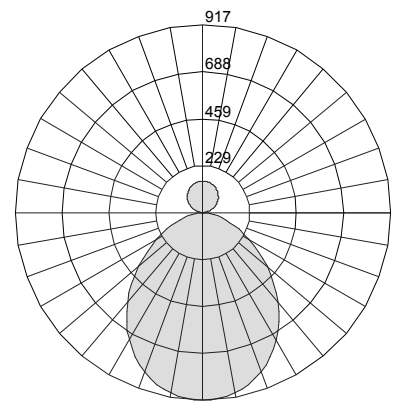
Cat. # RP4-4D-05L35-...-FRF-...-4'  
 Frosted Flush Lens  
 Wattage/Ft - 4.85  
 Lumens/Watt - 117



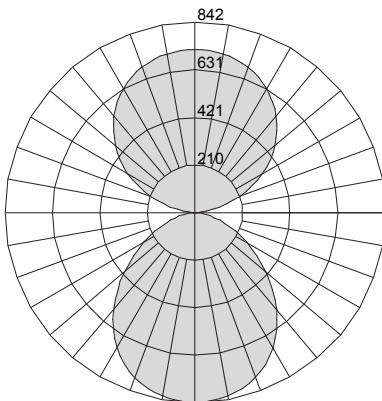
Cat. # RP4-4D-09L35-...-FRF-...-4'  
 Frosted Flush Lens  
 Wattage/Ft - 7.79  
 Lumens/Watt - 114



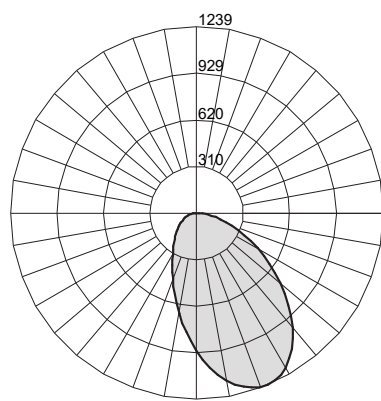
Cat. # RP4-4U-05L35-...-FRF-...-4'  
 Frosted Flush Lens  
 Wattage/Ft - 5.83  
 Lumens/Watt - 98



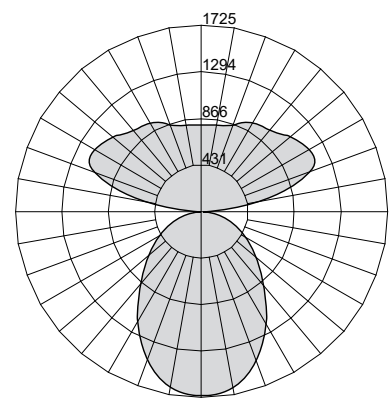
Cat. # RP4-4B-05L35-...-FRF-...-4'  
 Frosted Flush Lens  
 Wattage/Ft - 8.65  
 Lumens/Watt - 131



Cat. # RP4-4D-05L40-...-FRF-...-4'-ASYM  
 Frosted Flush Lens  
 Wattage - 5.25  
 Lumens/Watt - 110



Cat. # RP4B-09L40-D0-1C48C-A-FF-W-BW  
 Frosted Flush Lens  
 Wattage - 16.2W per ft  
 Lumens/Watt - 114



Option BW- Batwing Optics

