

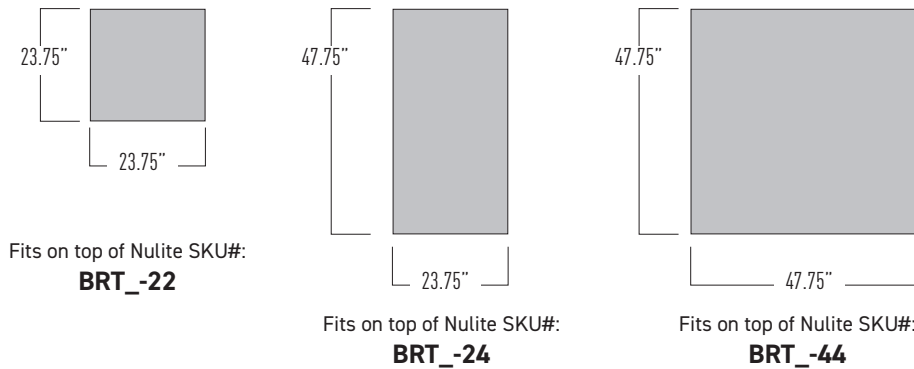


BRT / Panel-By-Others Luminaire

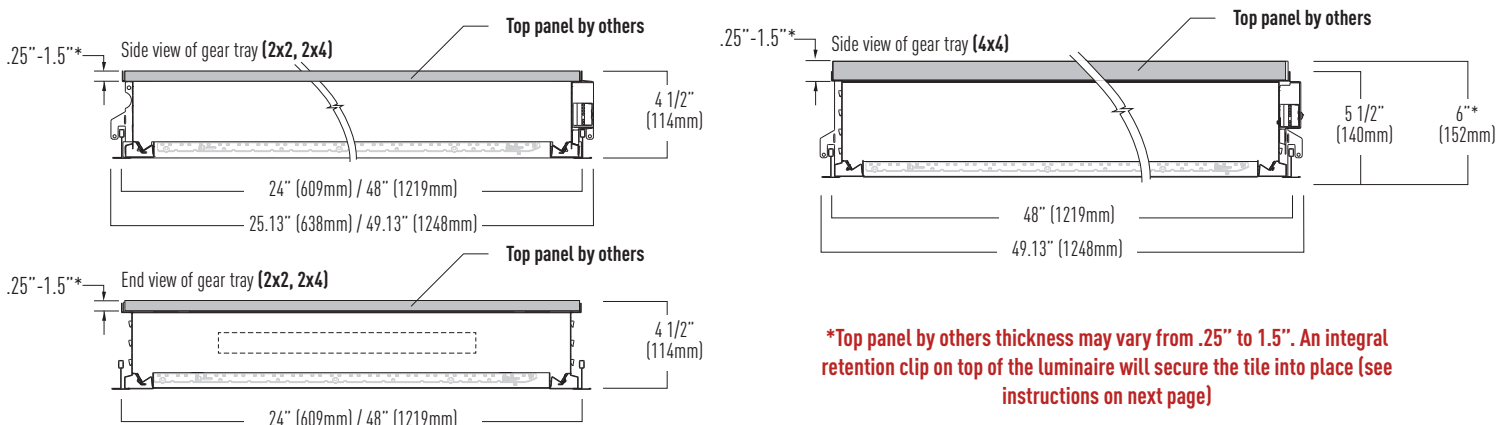
Nulite's BRT series requires a top panel by others to function. This top panel material can be a standard acoustic ceiling panel, or any material selected by the architect or interior designer. The third party supplier will ship the material direct to the project site.

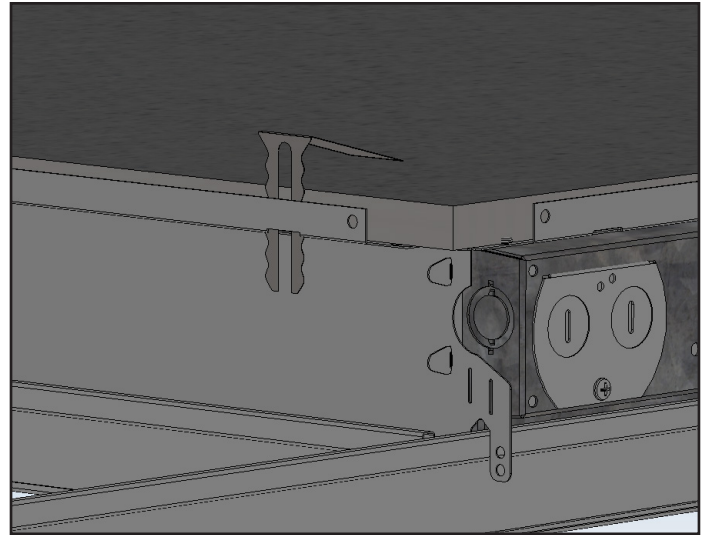
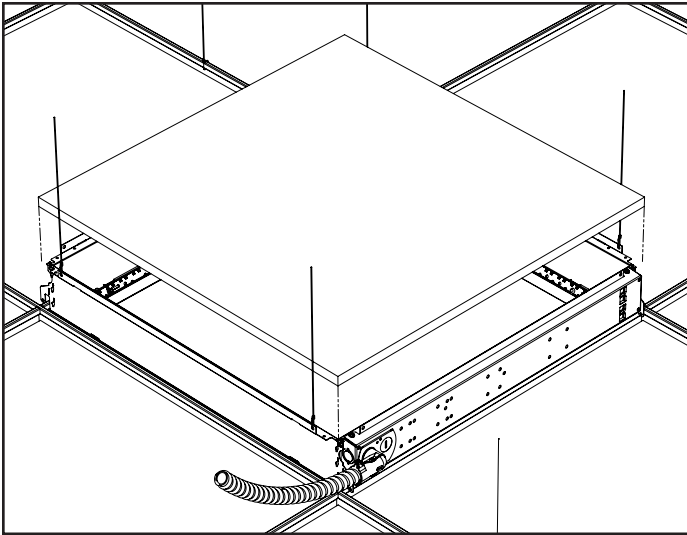
Communication with the general contractor is required to coordinate the installation between the ceiling and electrical contractors.

Top Panel Tile By Others- Dimensional Requirements



Cross Section Dimensions





1 After electrical contractor installs BRT series, place tile by others on top of the luminaire.

2 Once the panel is in place, secure panel to top of luminaire with integral panel clips.

Notes and Guidelines regarding third party materials

- Typical off-the-shelf acoustical ceiling panel fits on top of the BRT series and it becomes the active top reflector of the luminaire.
- Panels supplied by third party, coordination with architect and ceiling trade required.
- Nominal panel Sizes: 2'x2', 2'x4', 4'x4'
- Nulite recommends matte finish material to avoid unsightly reflections
- For best results within 4'x4' general illumination applications, Nulite recommends **Certainteed, Techstyle White** large scale ceiling panels.
- For applications where the design intent is to create luminous accent panels in the ceiling, or lighting coves, the designer may choose any architectural material as the top reflector (weight restrictions apply, combined weight of Nulite's BRT series and third party panel must adhere to weight guidelines set by the ceiling manufacturer.)
- In the design phase, coordination with Nulite and the 3rd party supplier of the top panel material is necessary to create photometric files and production samples for client approval. Additional coordination is required with the architect and the ceiling installers.