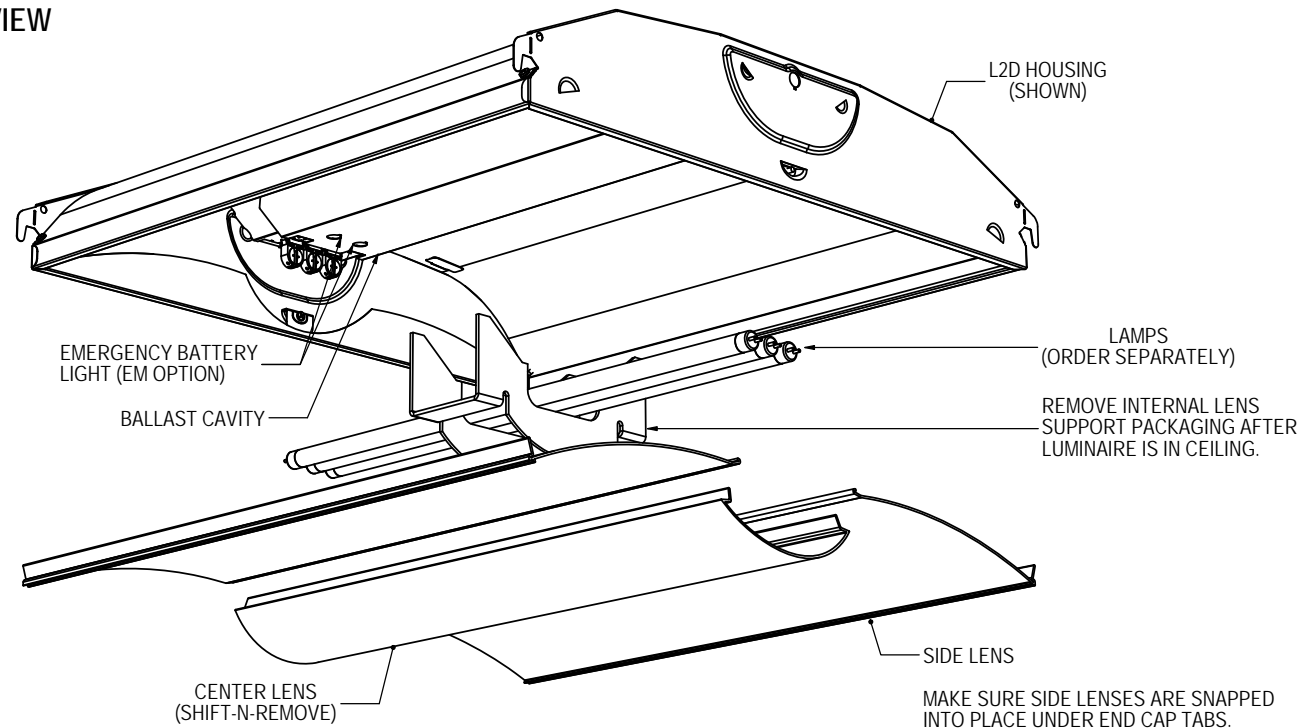


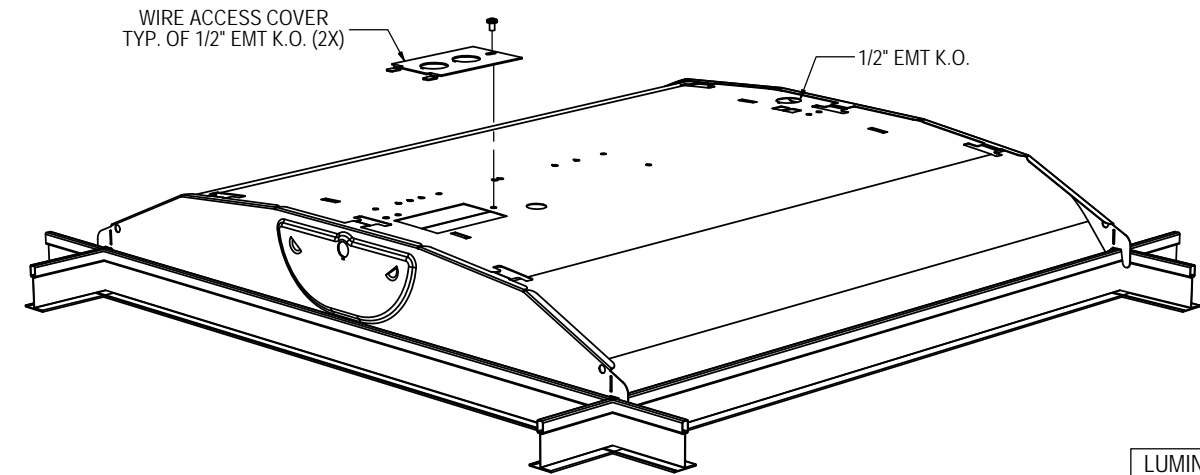
WARNINGS

RISK OF ELECTRICAL SHOCK OR FIRE - DISCONNECT POWER DURING INSTALLATION / SERVICING.
 READ ALL INSTRUCTIONS COMPLETELY BEFORE STARTING INSTALLATION.
 INSTALL & WIRE IN ACCORDANCE TO ALL NATIONAL & LOCAL CODES BY A CERTIFIED ELECTRICIAN.
 FIXTURE MAY BE SHARP - HANDLE WITH CARE.
 LET FIXTURE COOL BEFORE MAINTENANCE.

EXPLODED VIEW



WIRING INSTALLATION



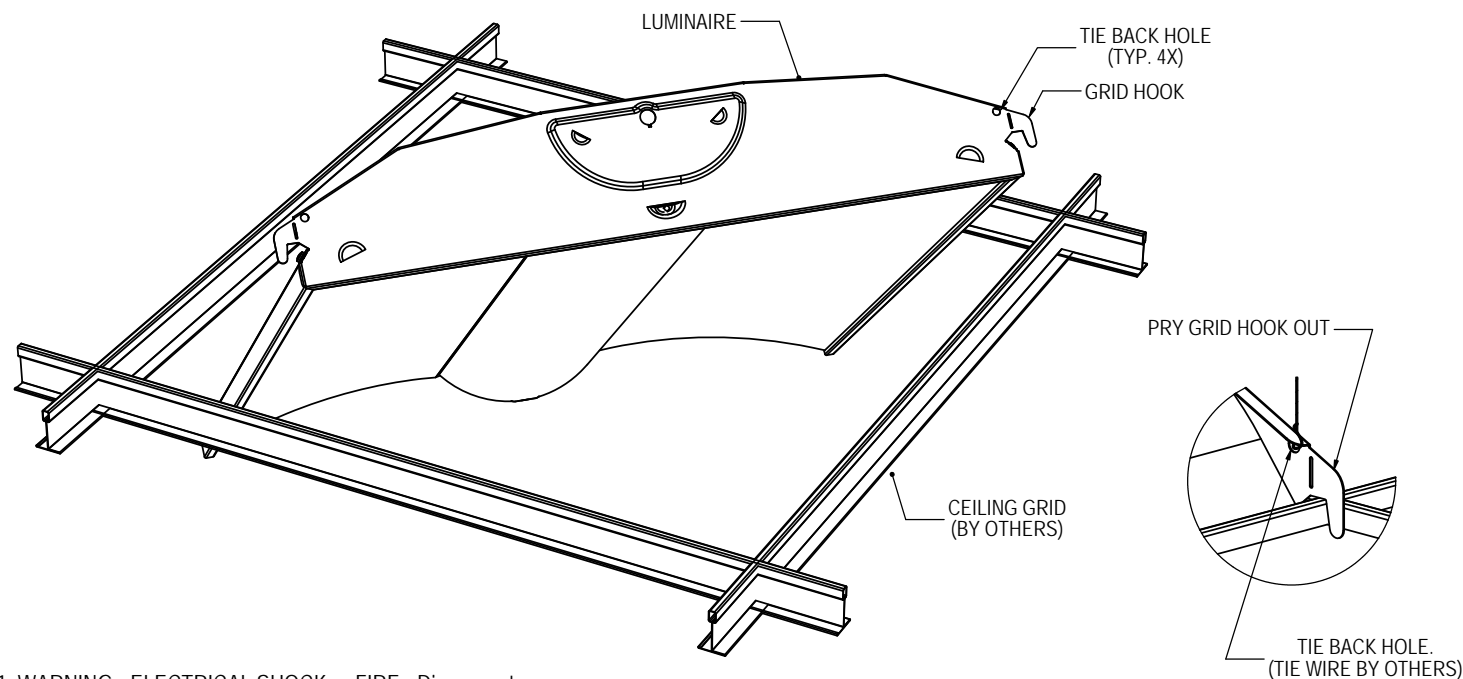
1. WARNING - ELECTRICAL SHOCK or FIRE - Disconnect power.
2. Wire per all National and Local electrical codes. Remove wire access cover and connect power feed conduit. Make proper electrical connection and re-install access cover.

LUMINAIRE POWER DISCONNECT



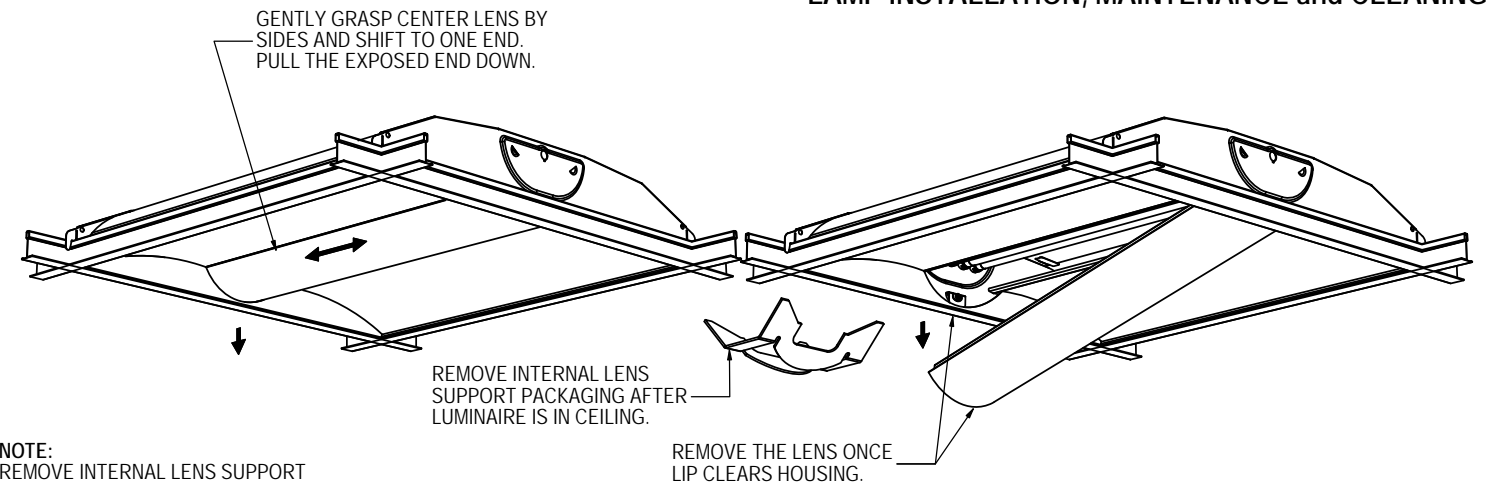
CODE COMPLIANT, FACTORY INSTALLED POWER DISCONNECT
 Input Side Daisy Chain
 Conductor Types -
 Power Side - solid / stranded - 19 strands minimum
 Ballast Side - 18 AWG solid

GRID CEILING INSTALLATION - NON-INSULATED CEILING



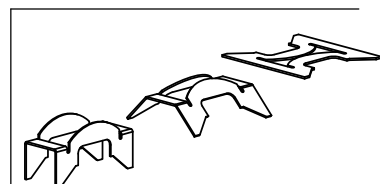
1. WARNING - ELECTRICAL SHOCK or FIRE - Disconnect power.
2. Clean hands before handling the luminaire or use clean gloves. Careful not to damage lenses. Angle luminaire and lift into grid location.
3. Provided pry out grid hooks to center and secure luminaire over ceiling grid.
4. Secure luminaire per all codes. Holes are provided for tie back to structure (tie wire by others). Code may require seismic clips, order separately.

LAMP INSTALLATION, MAINTENANCE and CLEANING



NOTE:
 REMOVE INTERNAL LENS SUPPORT PACKAGING FROM LAMP COMPARTMENT.
 MAKE SURE SIDE LENSES ARE SNAPPED INTO PLACE UNDER END CAP TABS.

1. WARNING - ELECTRICAL SHOCK or FIRE - Disconnect power.
2. Gently grasp center lens by the sides and shift to one end. Pull the exposed end down and remove lens. Remove internal lens support packaging from lamp compartment.
3. Install appropriate lamp(s) and re-install the lens.
4. Clean - Wipe down luminaire with a clean damp rag.
5. Connect power and make sure luminaire works properly.

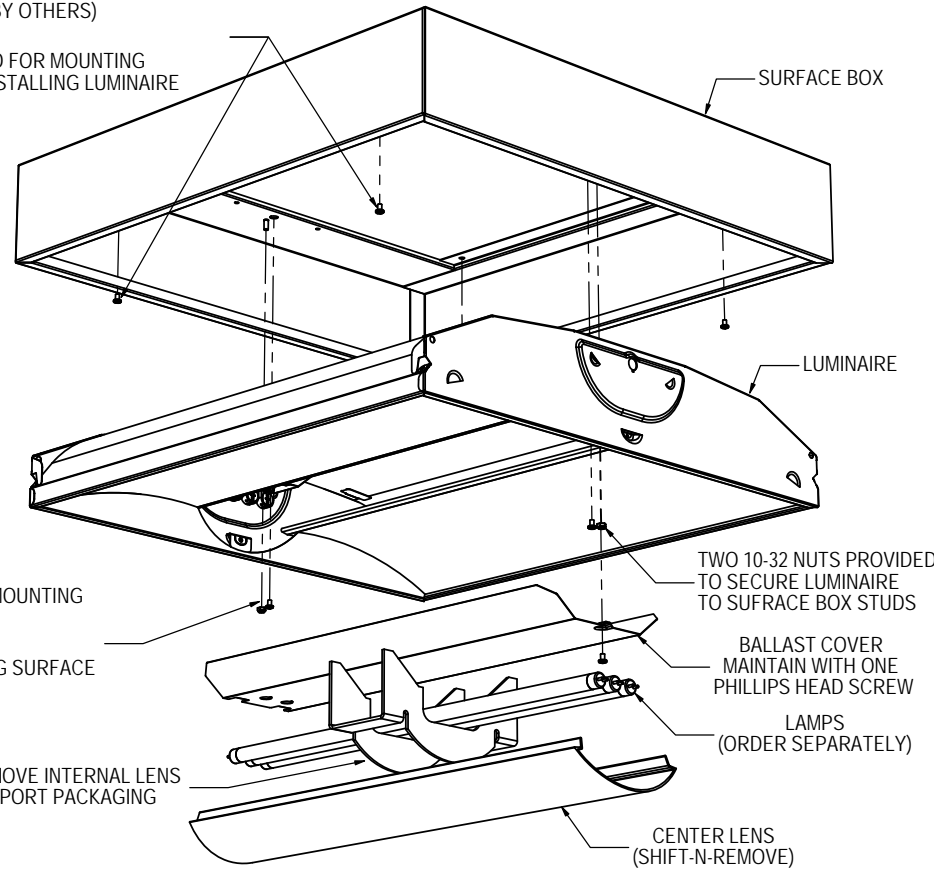


INTERNAL LENS SUPPORT PACKAGING FOLDS FLAT FOR EASY REMOVAL.

2x2 & 2x4 (SF) INSTRUCTIONS

ADEQUATE SUPPORT STRUCTURE AND MOUNTING HARDWARE (PROVIDED BY OTHERS)
MOUNTING OPTION ONE:
 (4) HOLES ARE PROVIDED FOR MOUNTING SURFACE BOX AND REINSTALLING LUMINAIRE

1. WARNING - ELECTRICAL SHOCK or FIRE - Disconnect power.
2. Gently grasp center lens by the sides and shift to one end. Pull the exposed end down and remove the lens.
3. Remove lamp(s) if applicable and packaging to expose ballast cover. Access ballast cavity by removing one phillips head screw.
4. **Mounting option one:**
 Remove (2) provided 10-32 nuts to separate box from luminaire. Using (4) holes provided, mount surface box in desired location. Hardware by others. Reinstall luminaire securing with (2) provided 10-32 nuts.
5. **Mounting option two:**
 Using (2) holes provided, mount surface box and luminaire in desired location. Hardware by others
6. Reinstall ballast cover with provided phillips head screw. Install appropriate lamp(s) and re-install the lens.
7. Clean - Wipe down luminaire with a clean damp rag.
8. Connect power and make sure luminaire works properly.



ADEQUATE SUPPORT STRUCTURE AND MOUNTING HARDWARE (PROVIDED BY OTHERS)
MOUNTING OPTION TWO:
 (2) HOLES ARE PROVIDED FOR MOUNTING SURFACE BOX AND LUMINAIRE AT THE SAME TIME

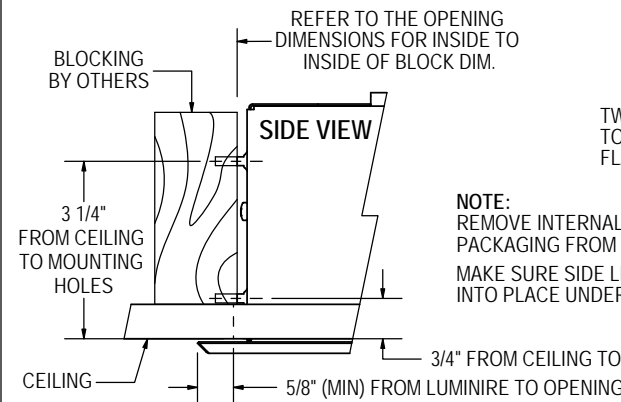
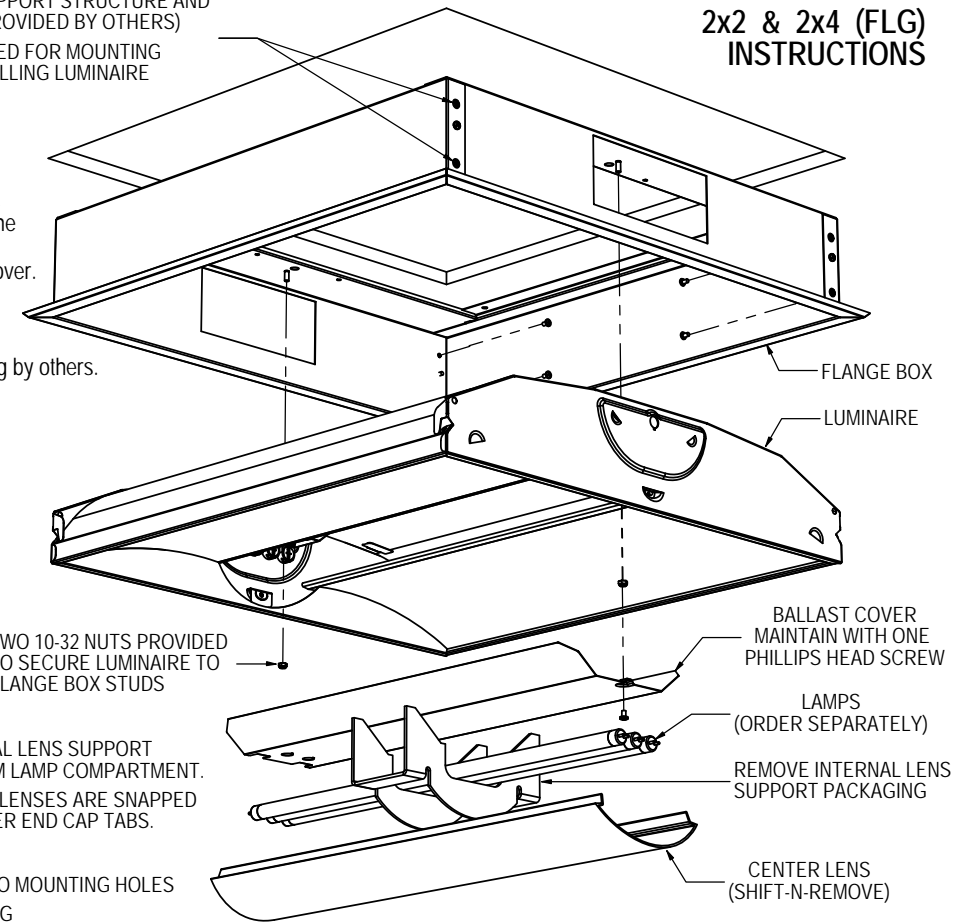
NOTE:
 REMOVE INTERNAL LENS SUPPORT PACKAGING FROM LAMP COMPARTMENT. MAKE SURE SIDE LENSES ARE SNAPPED INTO PLACE UNDER END CAP TABS.

2x2 & 2x4 (FLG) INSTRUCTIONS

ADEQUATE BLOCKING / SUPPORT STRUCTURE AND MOUNTING HARDWARE (PROVIDED BY OTHERS)
 EIGHT HOLES ARE PROVIDED FOR MOUNTING FLANGE BOX AND REINSTALLING LUMINAIRE

ROUGH OPENING DIMENSIONS:
 2X2 = 24-1/2" X 24-1/2"
 2X4 = 24-1/2" X 48-1/2"

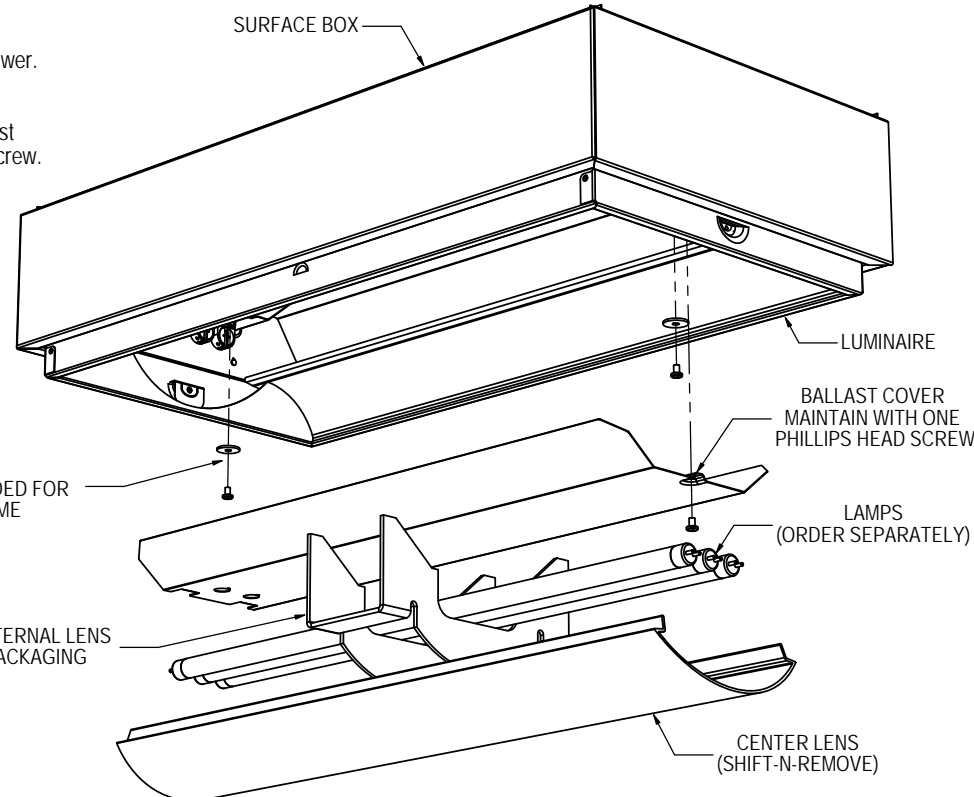
1. WARNING - ELECTRICAL SHOCK or FIRE - Disconnect power.
2. Gently grasp center lens by the sides and shift to one end. Pull the exposed end down and remove the lens.
3. Remove lamp(s) if applicable and packaging to expose ballast cover. Access ballast cavity by removing one phillips head screw.
4. Remove (2) provided 10-32 nuts to separate box from luminaire. Using (8) holes provided, mount flange box in desired location to adequate blocking or support structure. Hardware and blocking by others. Reinstall luminaire securing with (2) provided 10-32 nuts.
5. Reinstall ballast cover with provided phillips head screw. Install appropriate lamp(s) and re-install the lens.
6. Clean - Wipe down luminaire with a clean damp rag.
7. Connect power and make sure luminaire works properly.



NOTE:
 REMOVE INTERNAL LENS SUPPORT PACKAGING FROM LAMP COMPARTMENT. MAKE SURE SIDE LENSES ARE SNAPPED INTO PLACE UNDER END CAP TABS.

1x2 & 1x4 (SF) INSTRUCTIONS

1. WARNING - ELECTRICAL SHOCK or FIRE - Disconnect power.
2. Gently grasp center lens by the sides and shift to one end. Pull the exposed end down and remove the lens.
3. Remove lamp(s) if applicable and packaging to expose ballast cover. Access ballast cavity by removing one phillips head screw.
4. Using (2) holes provided, mount surface box and luminaire at the same time with (2) #10 screws and washers. Driving both screws into structure will bring bottom of luminaire flush with the surface box.
5. Reinstall ballast cover with provided phillips head screw. Install appropriate lamp(s) and re-install the lens.
6. Clean - Wipe down luminaire with a clean damp rag.
7. Connect power and make sure luminaire works properly.



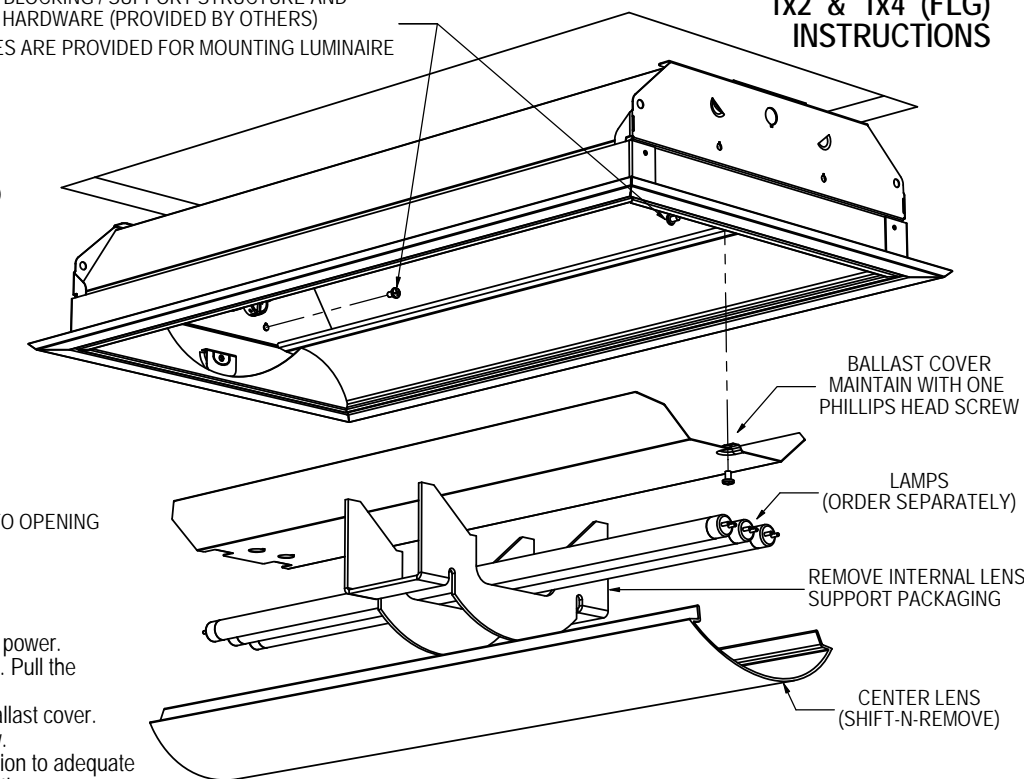
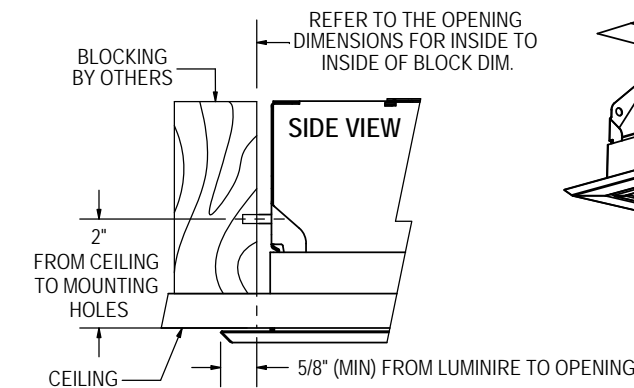
ADEQUATE SUPPORT STRUCTURE (PROVIDED BY OTHERS)
 (2) HOLES AND (2) #10 SCREWS AND WASHERS ARE PROVIDED FOR MOUNTING SURFACE BOX AND LUMINAIRE AT THE SAME TIME

NOTE:
 REMOVE INTERNAL LENS SUPPORT PACKAGING FROM LAMP COMPARTMENT. MAKE SURE SIDE LENSES ARE SNAPPED INTO PLACE UNDER HOUSING TABS.

1x2 & 1x4 (FLG) INSTRUCTIONS

ADEQUATE BLOCKING / SUPPORT STRUCTURE AND MOUNTING HARDWARE (PROVIDED BY OTHERS)
 FOUR HOLES ARE PROVIDED FOR MOUNTING LUMINAIRE

ROUGH OPENING DIMENSIONS:
 1X2 = 12-1/2" X 24-1/2"
 1X4 = 12-1/2" X 48-1/2"



1. WARNING - ELECTRICAL SHOCK or FIRE - Disconnect power.
2. Gently grasp center lens by the sides and shift to one end. Pull the exposed end down and remove the lens.
3. Remove lamp(s) if applicable and packaging to expose ballast cover. Access ballast cavity by removing one phillips head screw.
4. Using (4) holes provided, mount luminaire in desired location to adequate blocking or support structure. Hardware and blocking by others.
5. Reinstall ballast cover with provided phillips head screw. Install appropriate lamp(s) and re-install the lens.
6. Clean - Wipe down luminaire with a clean damp rag.
7. Connect power and make sure luminaire works properly.

NOTE:
 REMOVE INTERNAL LENS SUPPORT PACKAGING FROM LAMP COMPARTMENT. MAKE SURE SIDE LENSES ARE SNAPPED INTO PLACE UNDER HOUSING TABS.