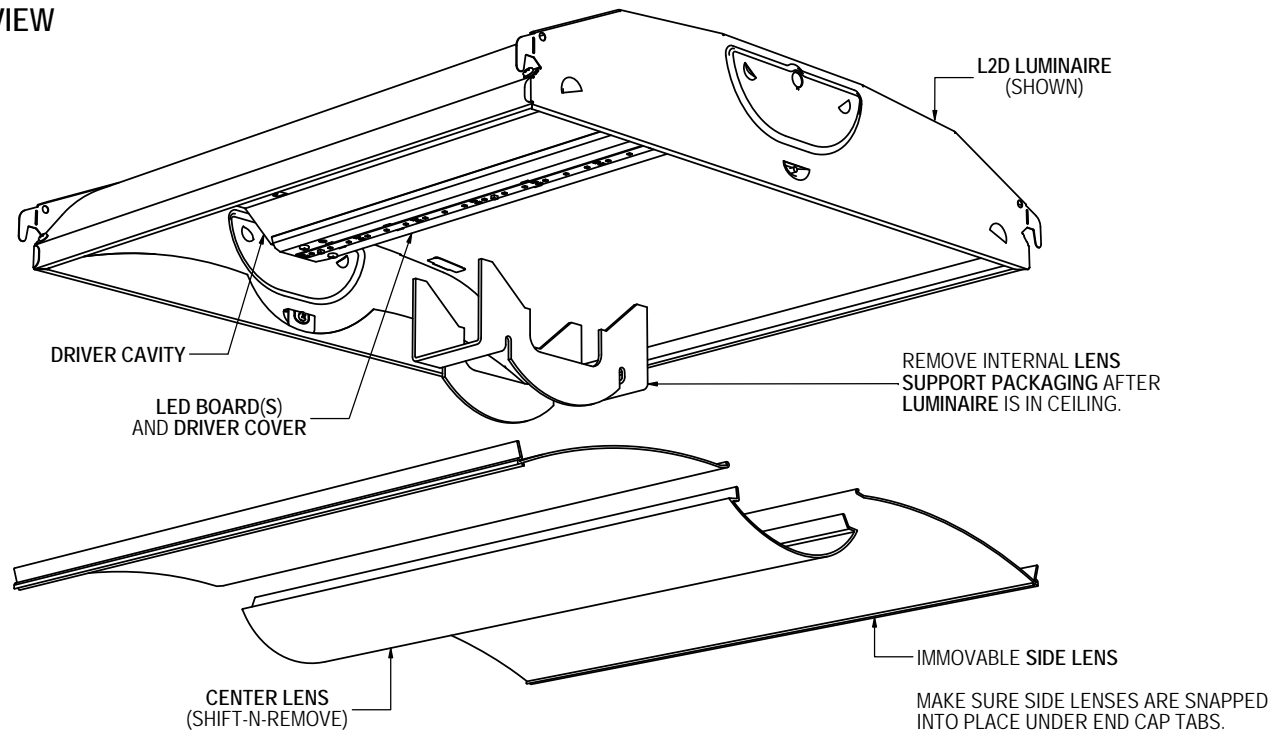


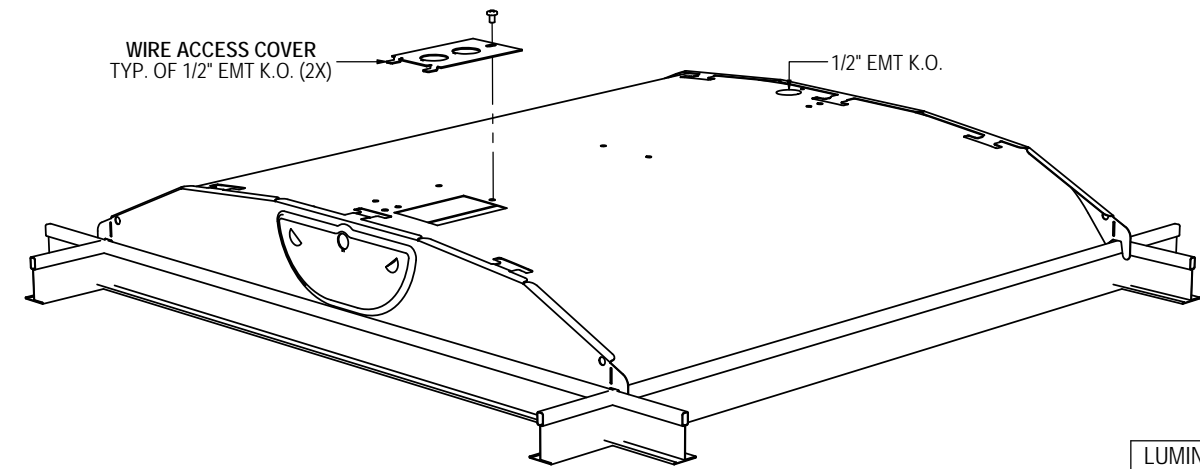
**WARNINGS**

RISK OF ELECTRICAL SHOCK OR FIRE - DISCONNECT POWER DURING INSTALLATION / SERVICING.  
 READ ALL INSTRUCTIONS COMPLETELY BEFORE STARTING INSTALLATION.  
 INSTALL & WIRE IN ACCORDANCE TO ALL NATIONAL & LOCAL CODES BY A CERTIFIED ELECTRICIAN.  
 FIXTURE MAY BE SHARP - HANDLE WITH CARE.  
 LET FIXTURE COOL BEFORE MAINTENANCE.

**EXPLODED VIEW**



**WIRING INSTALLATION**



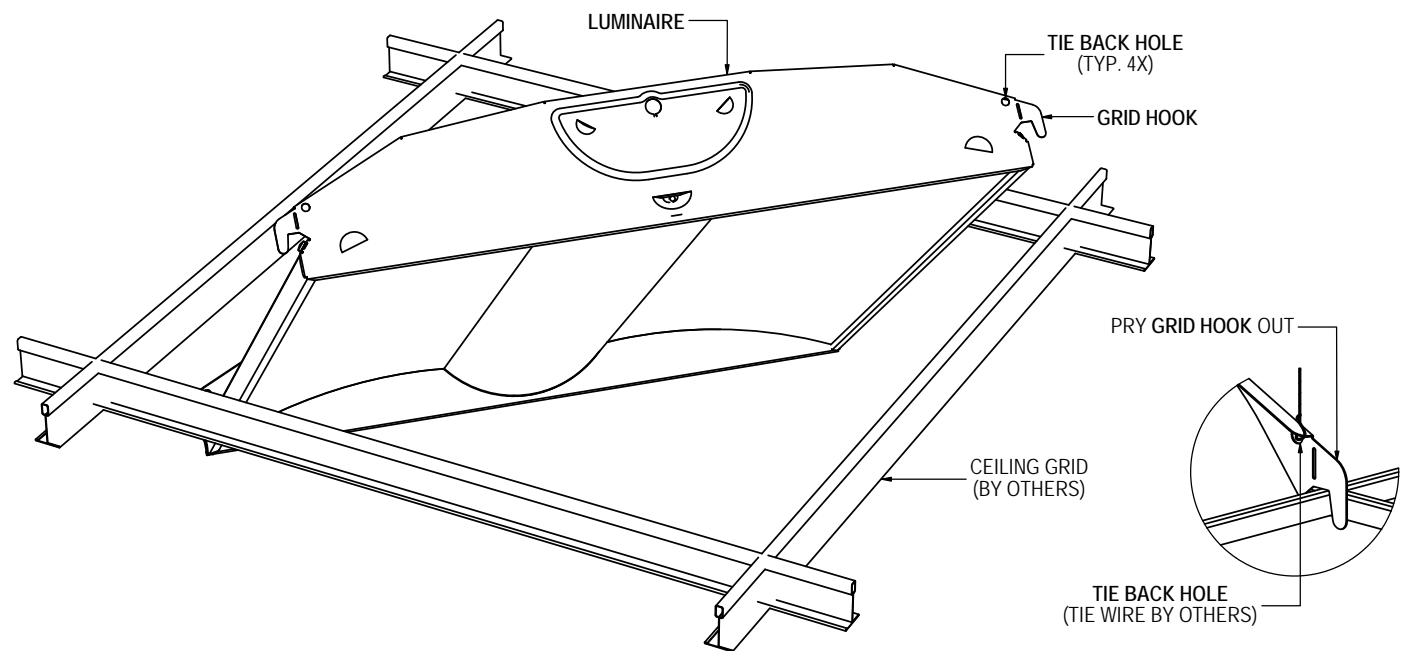
1. WARNING - ELECTRICAL SHOCK or FIRE - Disconnect power.
2. Wire per all National and Local electrical codes. Remove wire access cover and connect power feed conduit. Make proper electrical connection and re-install access cover.

**LUMINAIRE POWER DISCONNECT**



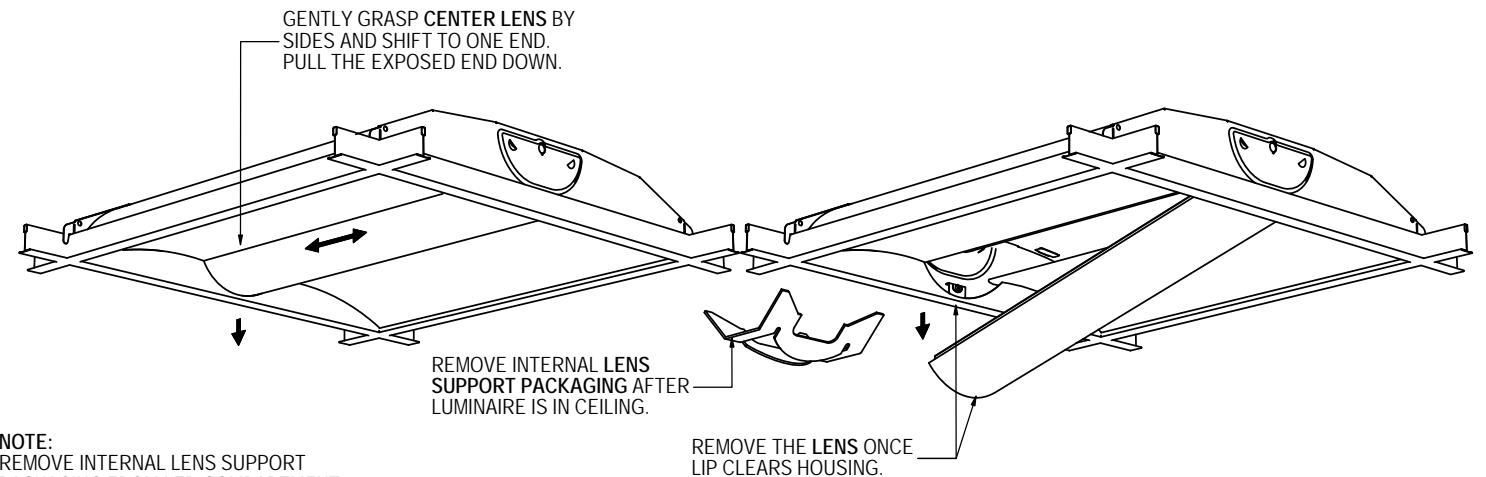
CODE COMPLIANT, FACTORY INSTALLED POWER DISCONNECT  
 Input Side Daisy Chain  
 Conductor Types:  
 Power Side - solid / stranded 19 strands (MIN.)  
 Ballast Side - 18 AWG solid

**GRID CEILING INSTALLATION - NON-INSULATED CEILING**



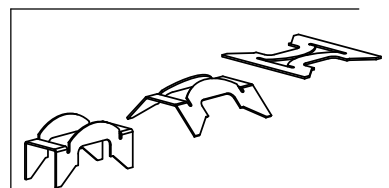
1. WARNING - ELECTRICAL SHOCK or FIRE - Disconnect power.
2. Clean hands before handling the luminaire or use clean gloves. Careful not to damage lenses. Angle luminaire and lift into grid location.
3. Provided pry out grid hooks to center and secure luminaire over ceiling grid.
4. Secure luminaire per all codes. Holes are provided for tie back to structure (tie wire by others). Code may require seismic clips, order separately.

**MAINTENANCE and CLEANING**



**NOTE:**  
 REMOVE INTERNAL LENS SUPPORT PACKAGING FROM LED COMPARTMENT.  
 MAKE SURE SIDE LENSES ARE SNAPPED INTO PLACE UNDER END CAP TABS.

1. WARNING - ELECTRICAL SHOCK or FIRE - Disconnect power.
2. Gently grasp center lens by the sides and shift to one end. Pull the exposed end down and remove lens. Remove internal lens support packaging from LED compartment, re-install the lens.
3. Clean - Wipe down luminaire with a clean damp rag.
4. Connect power and make sure luminaire works properly.

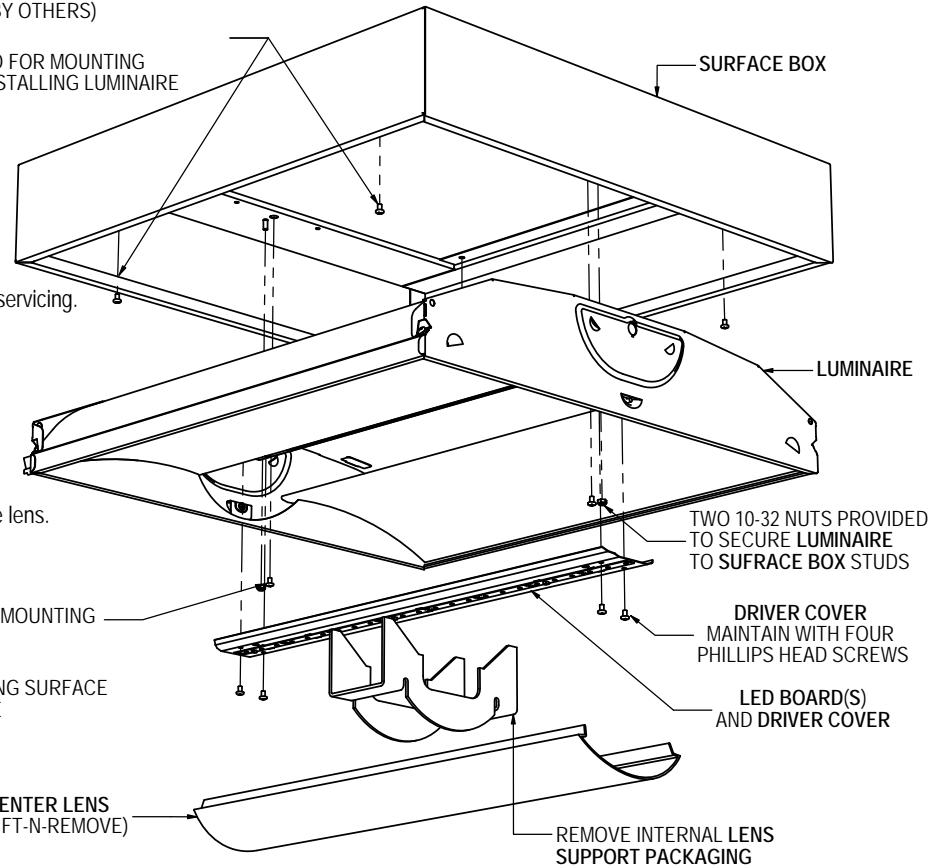


INTERNAL LENS SUPPORT PACKAGING FOLDS FLAT FOR EASY REMOVAL.

**2x2 & 2x4 (SF) INSTRUCTIONS**

ADEQUATE SUPPORT STRUCTURE AND MOUNTING HARDWARE (PROVIDED BY OTHERS)  
**MOUNTING OPTION ONE:**  
 (4) HOLES ARE PROVIDED FOR MOUNTING SURFACE BOX AND REINSTALLING LUMINAIRE

1. WARNING - ELECTRICAL SHOCK or FIRE - Disconnect power.
2. Gently grasp center lens by the sides and shift to one end. Pull the exposed end down and remove the lens.
3. Remove packaging to expose driver cover with LED's. Access driver cavity by removing four or two phillips head screws. Disconnect two wire nuts to remove cover. Take needed precautions to ensure electronics and wires on the cover do not touch anything. Make certain to store cover in a safe place during servicing.
4. **Mounting option one:**  
 Remove (2) provided 10-32 nuts to separate box from luminaire. Using (4) holes provided, mount surface box in desired location. Hardware by others. Reinstall luminaire securing with (2) provided 10-32 nuts.  
**Mounting option two:**  
 Using (2) holes provided, mount surface box and luminaire in desired location. Hardware by others
5. Reinstall driver cover with provided phillips head screws. Install the lens.
6. Clean - Wipe down luminaire with a clean damp rag.
7. Connect power and make sure luminaire works properly.



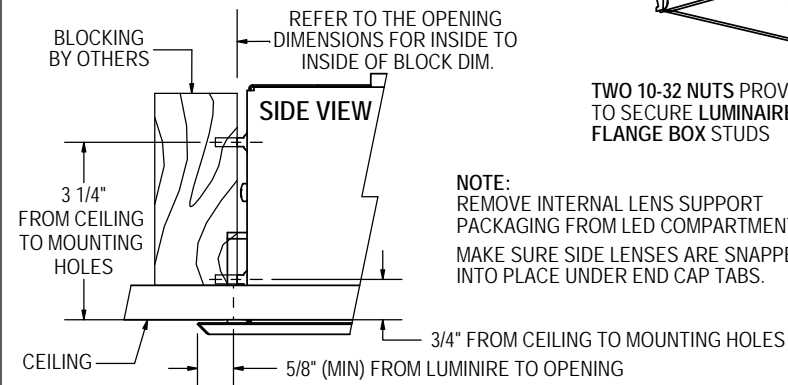
ADEQUATE SUPPORT STRUCTURE AND MOUNTING HARDWARE (PROVIDED BY OTHERS)  
**MOUNTING OPTION TWO:**  
 (2) HOLES ARE PROVIDED FOR MOUNTING SURFACE BOX AND LUMINAIRE AT THE SAME TIME

**NOTE:**  
 REMOVE INTERNAL LENS SUPPORT PACKAGING FROM LED COMPARTMENT. MAKE SURE SIDE LENSES ARE SNAPPED INTO PLACE UNDER END CAP TABS.

**ROUGH OPENING DIMENSIONS:**  
 2X2 = 24-1/2" X 24-1/2"  
 2X4 = 24-1/2" X 48-1/2"

ADEQUATE BLOCKING / SUPPORT STRUCTURE AND MOUNTING HARDWARE (PROVIDED BY OTHERS)  
**EIGHT HOLES ARE PROVIDED FOR MOUNTING FLANGE BOX AND REINSTALLING LUMINAIRE**

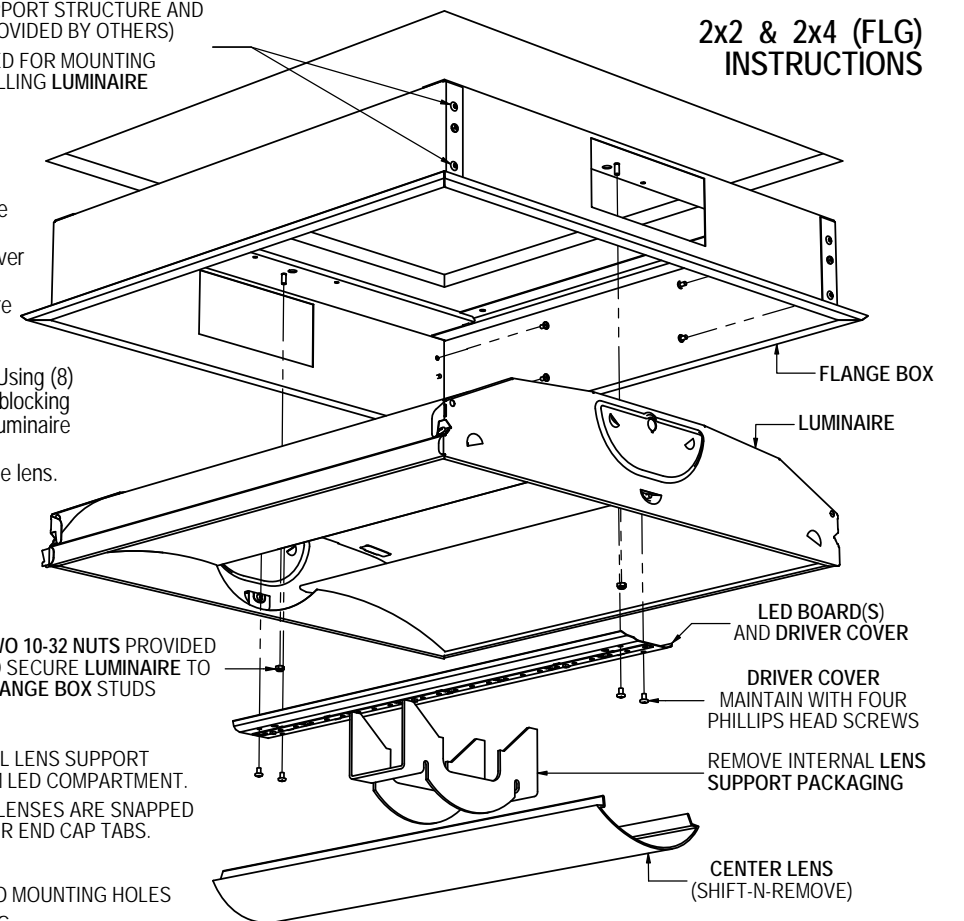
1. WARNING - ELECTRICAL SHOCK or FIRE - Disconnect power.
2. Gently grasp center lens by the sides and shift to one end. Pull the exposed end down and remove the lens.
3. Remove packaging to expose driver cover with LED's. Access driver cavity by removing four or two phillips head screws. Disconnect two wire nuts to remove cover. Take needed precautions to ensure electronics and wires on the cover do not touch anything. Make certain to store cover in a safe place during servicing.
4. Remove (2) provided 10-32 nuts to separate box from luminaire. Using (8) holes provided, mount flange box in desired location to adequate blocking or support structure. Hardware and blocking by others. Reinstall luminaire securing with (2) provided 10-32 nuts.
5. Reinstall driver cover with provided phillips head screws. Install the lens.
6. Clean - Wipe down luminaire with a clean damp rag.
7. Connect power and make sure luminaire works properly.



TWO 10-32 NUTS PROVIDED TO SECURE LUMINAIRE TO FLANGE BOX STUDS

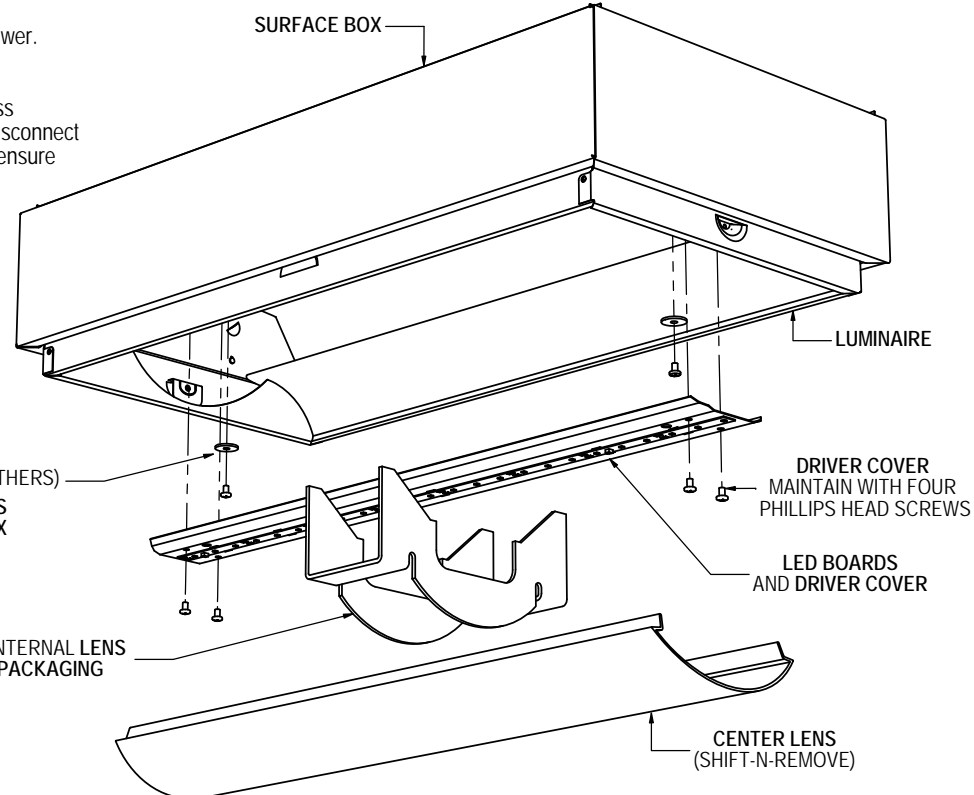
**NOTE:**  
 REMOVE INTERNAL LENS SUPPORT PACKAGING FROM LED COMPARTMENT. MAKE SURE SIDE LENSES ARE SNAPPED INTO PLACE UNDER END CAP TABS.

**2x2 & 2x4 (FLG) INSTRUCTIONS**



**1x2 & 1x4 (SF) INSTRUCTIONS**

1. WARNING - ELECTRICAL SHOCK or FIRE - Disconnect power.
2. Gently grasp center lens by the sides and shift to one end. Pull the exposed end down and remove the lens.
3. Remove packaging to expose driver cover with LED's. Access driver cavity by removing four or two phillips head screws. Disconnect two wire nuts to remove cover. Take needed precautions to ensure electronics and wires on the cover do not touch anything. Make certain to store cover in a safe place during servicing.
4. Using (2) holes provided, mount surface box and luminaire at the same time with (2) #10 screws and washers. Driving both screws into structure will bring bottom of luminaire flush with the surface box.
5. Reinstall driver cover with provided phillips head screws. Install the lens.
6. Clean - Wipe down luminaire with a clean damp rag.
7. Connect power and make sure luminaire works properly.

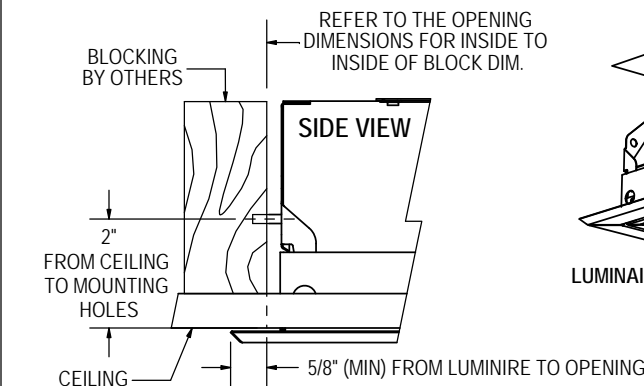


ADEQUATE SUPPORT STRUCTURE (PROVIDED BY OTHERS)  
 (2) HOLES AND (2) #10 SCREWS AND WASHERS ARE PROVIDED FOR MOUNTING SURFACE BOX AND LUMINAIRE AT THE SAME TIME

**NOTE:**  
 REMOVE INTERNAL LENS SUPPORT PACKAGING FROM LED COMPARTMENT. MAKE SURE SIDE LENSES ARE SNAPPED INTO PLACE UNDER HOUSING TABS.

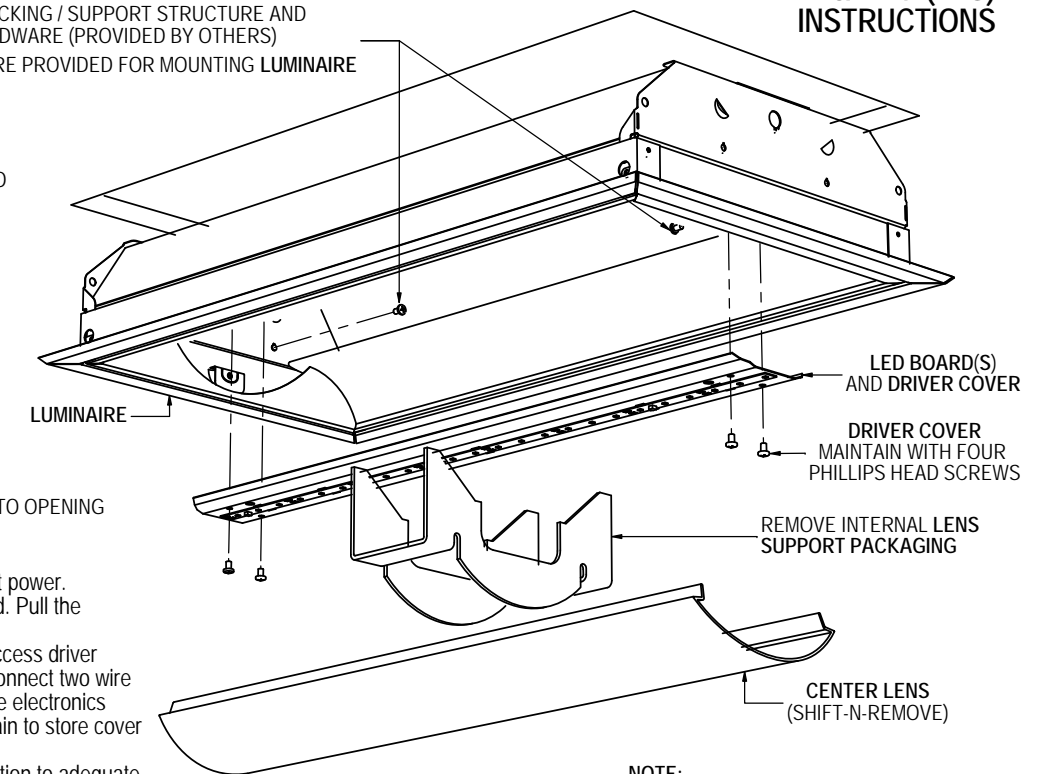
**ROUGH OPENING DIMENSIONS:**  
 1X2 = 12-1/2" X 24-1/2"  
 1X4 = 12-1/2" X 48-1/2"

ADEQUATE BLOCKING / SUPPORT STRUCTURE AND MOUNTING HARDWARE (PROVIDED BY OTHERS)  
**FOUR HOLES ARE PROVIDED FOR MOUNTING LUMINAIRE**



1. WARNING - ELECTRICAL SHOCK or FIRE - Disconnect power.
2. Gently grasp center lens by the sides and shift to one end. Pull the exposed end down and remove the lens.
3. Remove packaging to expose driver cover with LED's. Access driver cavity by removing four or two phillips head screws. Disconnect two wire nuts to remove cover. Take needed precautions to ensure electronics and wires on the cover do not touch anything. Make certain to store cover in a safe place during servicing.
4. Using (4) holes provided, mount luminaire in desired location to adequate blocking or support structure. Hardware and blocking by others.
5. Reinstall driver cover with provided phillips head screws. Install the lens.
6. Clean - Wipe down luminaire with a clean damp rag.
7. Connect power and make sure luminaire works properly.

**1x2 & 1x4 (FLG) INSTRUCTIONS**



**NOTE:**  
 REMOVE INTERNAL LENS SUPPORT PACKAGING FROM LED COMPARTMENT. MAKE SURE SIDE LENSES ARE SNAPPED INTO PLACE UNDER HOUSING TABS.