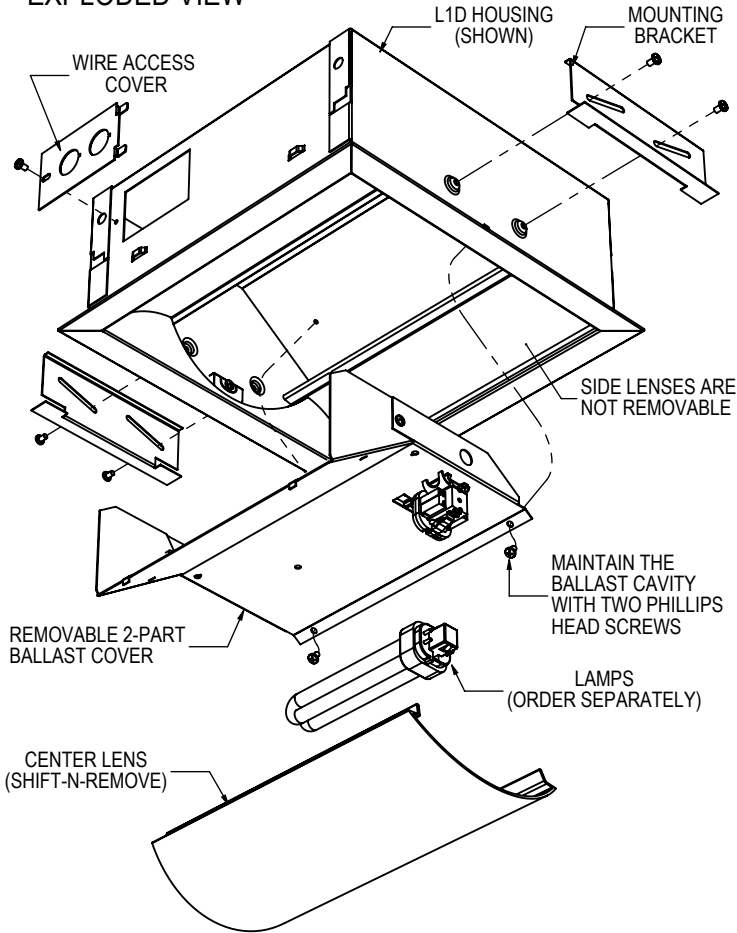


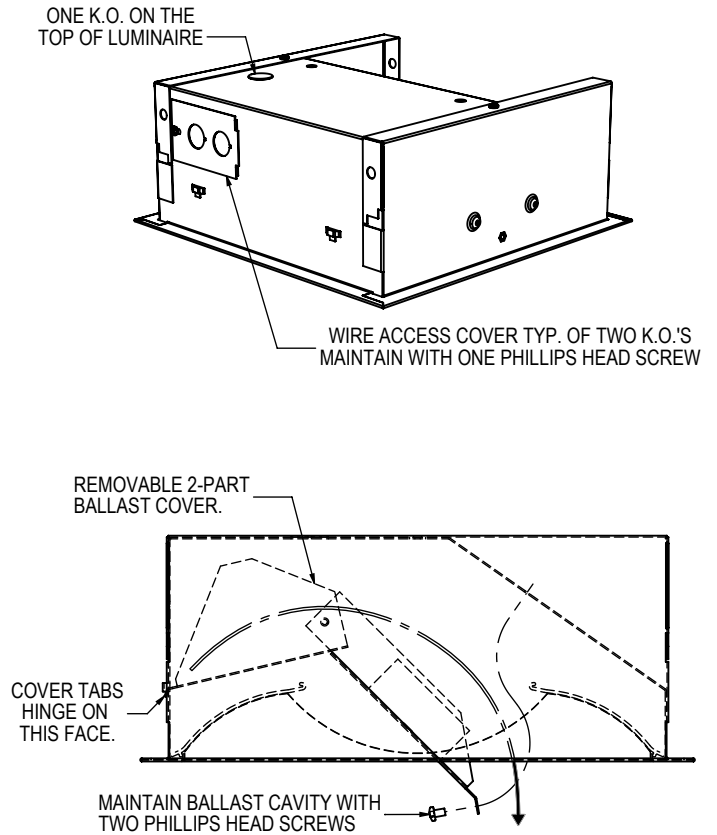
**WARNINGS**

RISK OF ELECTRICAL SHOCK OR FIRE - DISCONNECT POWER DURING INSTALLATION / SERVICING.  
 READ ALL INSTRUCTIONS COMPLETELY BEFORE STARTING INSTALLATION.  
 INSTALL & WIRE IN ACCORDANCE TO ALL NATIONAL & LOCAL CODES BY A CERTIFIED ELECTRICIAN.  
 FIXTURE MAY BE SHARP - HANDLE WITH CARE.  
 LET FIXTURE COOL BEFORE MAINTENANCE.

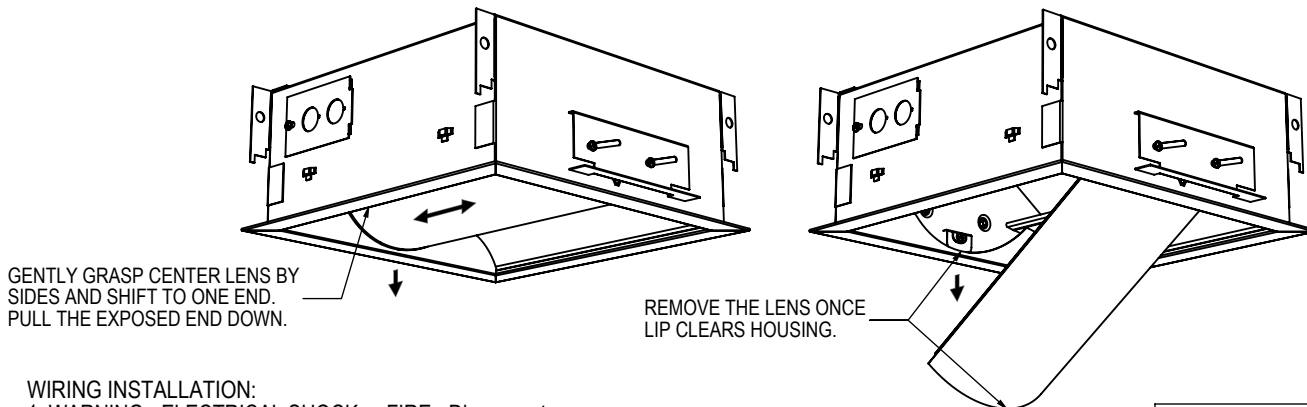
**EXPLODED VIEW**



**WIRING INSTALLATION - NON-INSULATED CEILING**



**LAMP INSTALLATION, MAINTENANCE and CLEANING**



**WIRING INSTALLATION:**

1. WARNING - ELECTRICAL SHOCK or FIRE - Disconnect power.
2. Wire per all National and Local electrical codes. Accessible ceiling option; remove wire access cover and connect power feed conduit make proper electrical connection and re-install wire access cover.  
 Inaccessible ceiling option; Remove 2-part ballast cover, remove top K.O. and connect power feed conduit via top K.O. Make proper electrical connection and re-install ballast cover.

**LAMP INSTALLATION, MAINTENANCE and CLEANING:**

1. WARNING - ELECTRICAL SHOCK or FIRE - Disconnect power.
2. Gently grasp center lens by the sides and shift to one end. Pull the exposed end down and remove lens.
3. Install appropriate lamp and re-install the lens.
4. Clean - Wipe down luminaire with a clean damp rag.
5. Connect power and make sure luminaire works properly.

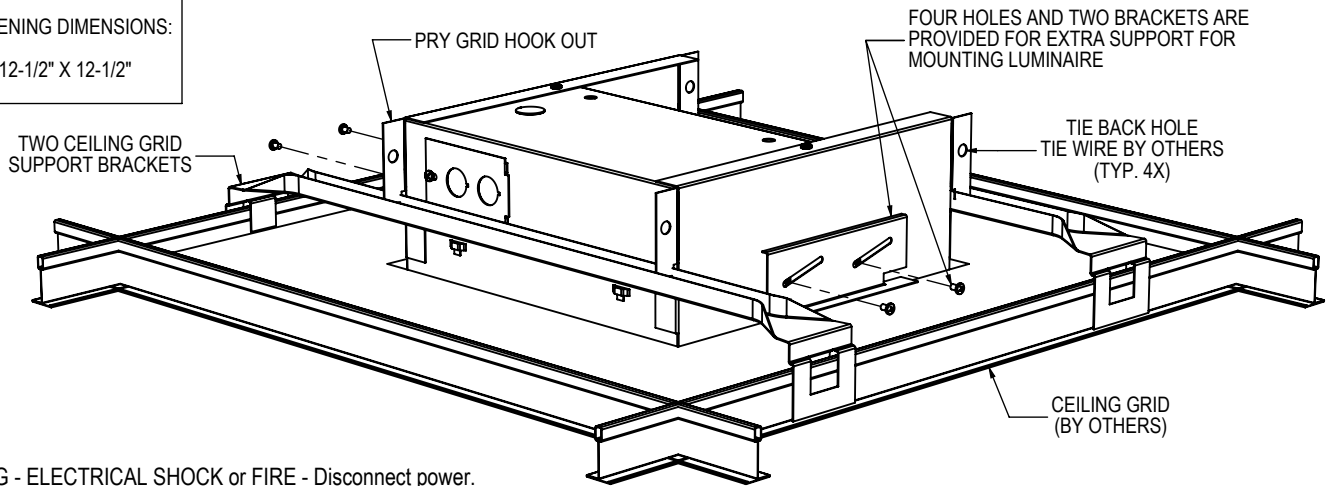
**LUMINAIRE POWER DISCONNECT**



CODE COMPLIANT, FACTORY INSTALLED POWER DISCONNECT  
 Input Side Daisy Chain  
 Conductor Types:  
 Power Side - solid / stranded  
 19 strands (MIN.)  
 Ballast Side - 18 AWG solid

**GRID CEILING INSTALLATION - NON-INSULATED CEILING**

ROUGH OPENING DIMENSIONS:  
1X1 = 12-1/2" X 12-1/2"

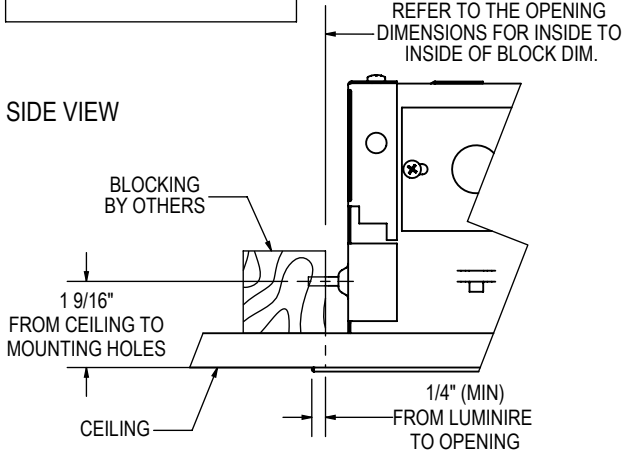


1. WARNING - ELECTRICAL SHOCK or FIRE - Disconnect power.
2. Cut ceiling tile to rough opening dimensions.
3. Clean hands before handling the luminaire or use clean gloves. Careful not to damage lenses. Lift luminaire into grid tile location.
4. Provided pry out grid hooks to center and secure luminaire over ceiling grid support bracket.
5. Secure luminaire per all codes. Holes are provided for tie back to structure (tie wire by others).
6. Provided mounting brackets for added mounting support on grid tile.
7. Clean - Wipe down luminaire with a clean damp rag.
8. Connect power and make sure luminaire works properly.

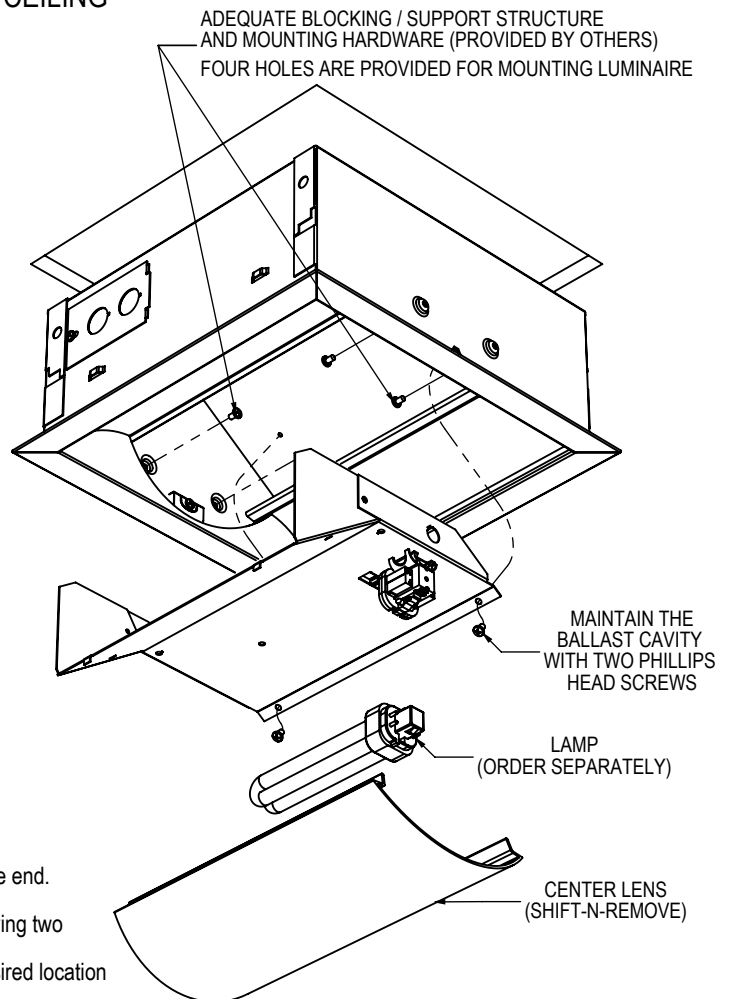
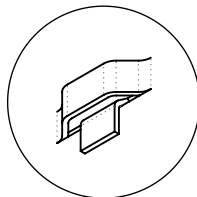
**INACCESSIBLE CEILING INSTALLATION - NON-INSULATED CEILING**

ROUGH OPENING DIMENSIONS:  
1X1 = 12-1/2" X 12-1/2"

SIDE VIEW



DETAIL VIEW SEE 7 FOR EXPLANATION



1. WARNING - ELECTRICAL SHOCK or FIRE - Disconnect power.
2. Cut ceiling tile to rough opening dimensions.
3. Clean hands before handling the luminaire or use clean gloves.
4. Careful not to damage lenses gently grasp center lens by the sides and shift to one end. Pull the exposed end down and remove the lens.
5. Remove lamp if applicable to expose ballast cover. Access ballast cover by removing two phillips head screws. Remove cover assembly out of the center of luminaire.
6. Lift luminaire into ceiling location. Using (4) holes provided, mount luminaire in desired location to adequate blocking or support structure. Hardware and blocking by others.
7. Reinstall ballast cover with provided phillips head screws. Make sure cover tabs hinge into holes on the non angled side of housing. Install appropriate lamp and re-install the lens.
8. Clean - Wipe down luminaire with a clean damp rag.
9. Connect power and make sure luminaire works properly.