

Project Name:	
Type:	Date:
Catalog #:	

**Description:**

The Porta Sottile series is a fully luminous architectural recessed luminaire. This cost effective, energy efficient luminaire series provides soft ambient illumination and features a tool-less captive latch-hinge door frame assembly for quick access of lamp compartment.

**Specifications:**

**Construction:** Die formed cold rolled steel housing with white enamel finish. Optional die formed 20 gauge cold rolled steel housing and powder coated white paint after fabrication. Access plate allows for easy wiring without opening luminaire.

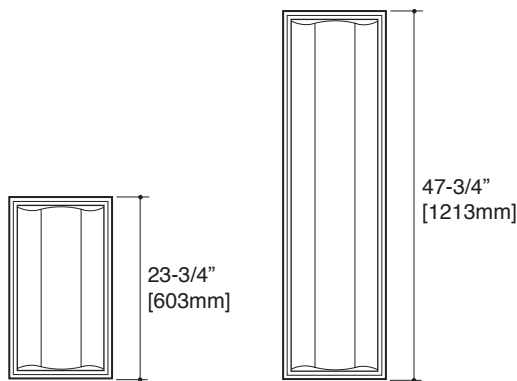
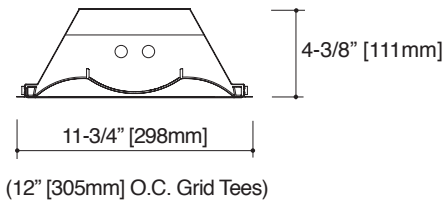
**Shielding:** Extruded 1-piece, impact resistant, UV stabilized virgin frosted acrylic diffuser with micro-linear prism center portion for visual comfort. Die formed cold rolled steel door frame. Tool-less, over-lapping, captive latch-hinge door frame assembly allows for quick maintenance from below.

**Reflector / Ballast:** Ballast cover/pan is finished with high reflectance white paint (minimum 85% reflectance). Standard electronic, Class P, ballast. Universal (UNV) voltage is from 120 - 277V.

**Lamping:** 1 or 2 lamp cross-section. Luminaire can be ordered with lamps, consult factory.

**Mounting:** Non-IC rated. Acoustical grid or optional flange kit for inaccessible ceiling types.

**Labels:** UL / cUL listed. Optional Damp location.



**Ordering Information**

Sample: P1D-228T5-277-PSN-SIC-FLEX3

Series	Lamp	Wattage	Voltage	Ballast	Options	
P1D						
Porta Sottile (1x4)	1	(2' Nom. Length)	UNV	T8 Options	Ballast Factor	EM <sup>3</sup> Emergency Battery Pack
	2	14T5	120	IS (Standard) Instant Start	N Normal (Standard)	GLR Fusing
		24T5HO	277	PS Program Start	L Low	DL Damp Location
		17T8	347 <sup>1</sup>	HEIS High Efficiency Instant Start	H High	CP Chicago Plenum
		(4' Nom. Length)		HEPS High Efficiency Program Start	SIC Seismic Clips	FLG Flange Kit
		28T5		T5/T5HO/FT	Ballast Factor	20PAF 20 ga. CRS / Paint After Fabrication
		54T5HO		PS (Standard) Program Start	N Normal	DSR Daylight Sensor - Remote
		32T8		HEPS <sup>2</sup> High Efficiency Program Start		FLEX3 6' of Flex, 3-wire
				All Lamp Dimming Options		FLEX4 6' of Flex, 4-wire
				DIM <sup>2</sup> Dimming		
				SD <sup>2</sup> Step Dimming		

- Notes:
1. Not available with EM option.
  2. Consult factory.
  3. Specific voltage must be ordered for this option. Some EM's may require "doghouse" or remote mounting, consult factory.

### Photometric Curve

**Cat. # P1D-228T5...**  
Lighting Sciences, Inc. Test #29228  
Initial lamp lumens - 5200  
Efficiency - 84.2%

