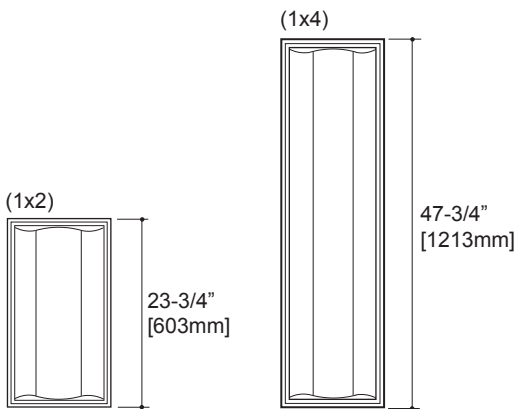


(12" [305mm] O.C. Grid Tees)



Porta Sottile 2D LED (1x2 or 1x4) P1D Series

Project Name:	
Type:	Date:
Catalog #:	

Description:

The Porta Sottile [so-tee-lay] Series is a fully luminous architectural recessed luminaire. This cost effective, energy efficient luminaire series provides soft ambient illumination and features a tool-less captive latch-hinge door frame assembly for quick maintenance.

Specifications:

Construction: Die formed cold rolled steel housing with white enamel finish. Optional die formed 20 gauge cold rolled steel housing and powder coated white paint after fabrication. Access plate allows for easy wiring without opening luminaire.

Reflector / Driver: Driver cover / pan is finished with high reflectance white paint. Constant current electronic driver with 0-10V dimming inputs. Universal (UNV) voltage is from 120-277V, 50/60 Hz.

Shielding: Extruded 1-piece, impact resistant, UV stabilized virgin frosted acrylic diffuser with micro-linear prism center portion for visual comfort. Die formed cold rolled steel door frame. Tool-less, over-lapping, captive latch-hinge door frame assembly allows for quick maintenance from below.

LED Module: Distributed LED array in a variety of lumen output packages. LED color is available in (L30) 3000K, (L35) 3500K or (L40) 4000K. Module is replaceable. L70 ≥ 50,000 hours.

Mounting: Acoustical grid, Non-IC rated. Optional inaccessible ceiling or surface mounting.

Labels: UL / cUL listed optional damp location, pending.

Warranty: 5-year limited warranty on LED and Driver.

Ordering Information

Sample: P1D-4-40L35-UNV-DIM-FLEX3

Series	Length ¹	Lumen Package ² / LED Color		Voltage	Driver	Options
P1D						
(Nom. 1' width)	2	(2' Nom. Length)	L30	UNV	DIM ³ Dimming	EM ⁴ Emergency Battery Pack FLG Separate Flange Kit CP ⁵ Chicago Plenum SIC Seismic Clips
		20	L35	120		
		20HP	L40	277		
		30				
	4	(4' Nom. Length)	30	20PAF 20 ga. CRS / Paint After Fabrication DSR Daylight Sensor - Remote FLEX3 6' of Flex, 3-wire		
		30HP				
		40				
		40HP				
		50				
		60				
		70				

Notes:

- Nominal 2' and 4' grid ceiling.
- Output based on standard optics. Output varies based on optical options.
- Standard driver has 0-10V dimming input, consult factory for specs.
- Remote mounting for 1x2, consult factory.
- Consult factory for maximum lumen package.

