

Type:	Project:	Qty:
	Date:	
Catalog #:		

**Description:**

The Nulite Sottile [so-tee-lay] 2D LED Series is a new fully luminous architectural recessed luminaire. This cost effective, energy efficient LED luminaire provides soft ambient illumination.

**Specifications:**

**Construction:** Die formed cold rolled steel housing. Housing finish is white baked enamel. Optional die formed 20 gauge cold rolled steel housing and powder coated white paint after fabrication. Access plate allows for easy wiring without opening luminaire.

**Reflector / Driver:** Reflector / driver cover is finished with high reflectance white paint. Standard constant current electronic driver with 0-10V dimming inputs; dimming range from 100% down to 1%. Universal (UNV) voltage is from 120-277V, 50/60 Hz.

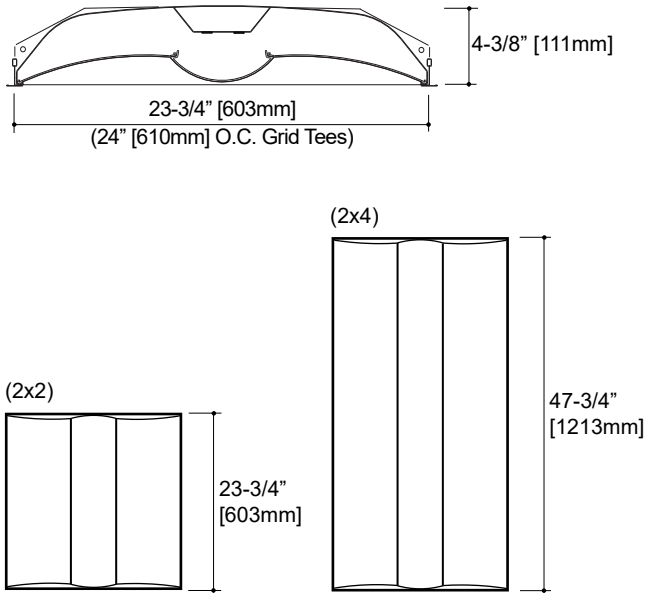
**Shielding:** Extruded 3-piece smooth frosted acrylic diffusers. Spring tension shift-and-remove center diffuser for convenient maintenance. Optional smooth clear center with round perf overlay.

**LED Module:** Distributed LED array in a variety of lumen output packages. LED color is available in 3000K, 3500K or 4000K and in 80CRI or 90CRI. Module is replaceable. L90 ≥ 100,000 hrs.

**Mounting:** Acoustical grid, IC rated.

**Labels:** ETL listed, conforms to UL Standard 1598 and 8750. Dry location listed, optional Damp location is available.

**Warranty:** 5-year LED luminaire limited warranty.



**Ordering Information**

Sample: L2D-4-40H35-UNV-ELS-RPO

Series	Length <sup>2</sup>	Lumen Package <sup>3</sup> / LED Color		Voltage	Driver	Options
L2D <sup>1</sup>						
(Nom. 2' width)	2	(2' Nom. Length)	80CRI	UNV	Dimming (0-10V)	EM(500) Emergency Battery Pack (~ 500 lumens)
		20	L30		D <sup>4</sup> (Dim to 1%)	EM(700) Emergency Battery Pack (~ 700 lumens)
	4	20HP	L35	120	DO <sup>5</sup> (Dim to 0%)	EM(1200) Emergency Battery Pack (~ 1200 lumens)
		30	L40			Lutron Dimming
		30HP	90CRI	277	See Page 2 for Ordering Codes	ENL Enlighted Enabled (Consult Factory for Options)
		40	H30			DL Damp Location
		(4' Nom. Length)	H35	DALI Dimming	FLG Flange Kit	
		30	H40	eldoLED ECOdrive	SF Surface Mount	
		30HP		ELE (Dim to 1%)	CP <sup>6</sup> Chicago Plenum	
		40		eldoLED SOLOdrive	SIC Seismic Clips	
		40HP		ELS (Dim to 0%)	20PAF 20 ga. CRS / Paint After Fabrication	
		50			DSR Daylight Sensor - Remote	
	50HP			GLR Fusing		
	60			FLEX3 6' of Flex, 3-wire ("Class 2" low voltage control wires not sleeved in flex)		
70						

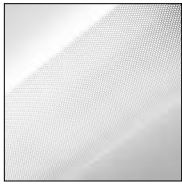
**Notes:**

- Some products are DesignLights Consortium™ Qualified, refer to [www.designlights.org](http://www.designlights.org) Qualified Products List under family models for details.
- Nominal for 2' and 4' grid ceiling.
- Output based on standard optics. See page 2. Optional lenses will vary output.
- Standard driver, don't connect low-voltage wires for non-dimming applications. Consult factory for specifications and manufacturer.
- Consult factory for specifications and manufacturer.
- Consult factory for maximum lumen package.

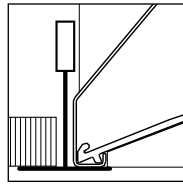
Specifications and dimensions are subject to change without notification. Specification sheets on our website supersede all other versions. Nulite reserves the right to bulk package any order.



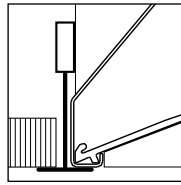
RPO Center Diffuser



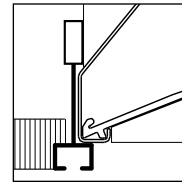
Grid Ceiling Mounting Details



1" Tee Grid

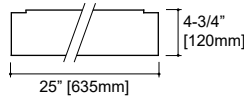


9/16" Tee Grid



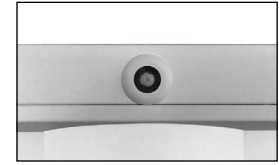
Screw Slot Grid

Surface Mounting

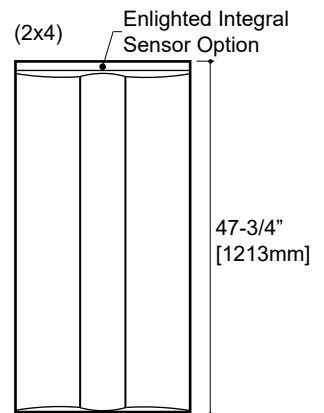
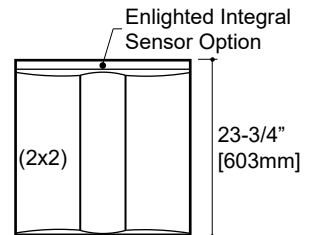


Enlighted Enabled

Nulite has developed specialized components to house the Enlighted compact sensor and control unit. **Consult factory for ordering options.**



Enlighted Integral Sensor Option



Lumen Packages for (Standard Center Frosted Diffuser)

2x2		Efficacy	
Lumen Package	Input Watts	Output Lumens	Lumens/Watt @ 3500K
20 (2000)	16.5	2018	122
20HP* (2000)	17	2248	132
30 (3000)	23	2658	116
30HP* (3000)	24	2960	123
40* (4000)	32	3825	120
2x4		Efficacy	
Lumen Package	Input Watts	Output Lumens	Lumens/Watt @ 3500K
30 (3000)	24	3241	135
30HP* (3000)	24	3576	149
40 (4000)	32	4099	128
40HP* (4000)	32	4256	133
50 (5000)	40	4957	124
50HP* (5000)	40	5120	128
60* (6000)	47	6033	128
70* (7000)	54	6891	128

\* Based on 2 board cross-section. Multiply Output by 95.3% for 3000K and 102.6% for 4000K values @ 80CRI.

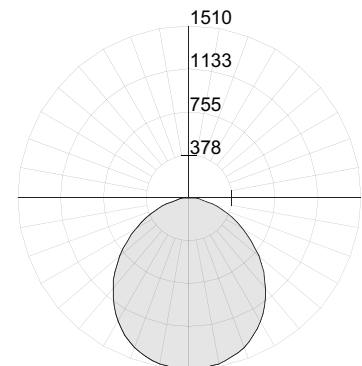
Lutron Driver Ordering Codes

Nulite Code	Lutron Prefix	Lutron Series	Dim Level	Control Type	
				3-Wire	Eco-System™
L11	L3DAE	Hi-lume™	1%		Yes
L12	L3DA3W	Hi-lume™	1%	Yes	
L15	LDE1*	Hi-lume™ - H Series	1%		Yes
L16	LDE5	5-Series	5%		Yes

\* Soft-on, Fade-to-Black™

Photometric Curves

L2D-4-40L35...  
CCT: 3500K  
3860 lumens  
ITL84432



Specifications and dimensions are subject to change without notification.