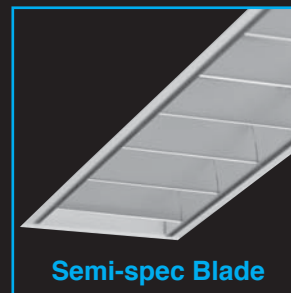
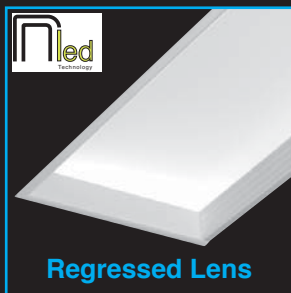
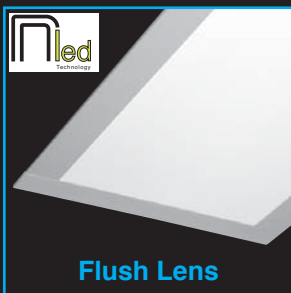




Regolo Series

A Linear Lighting System

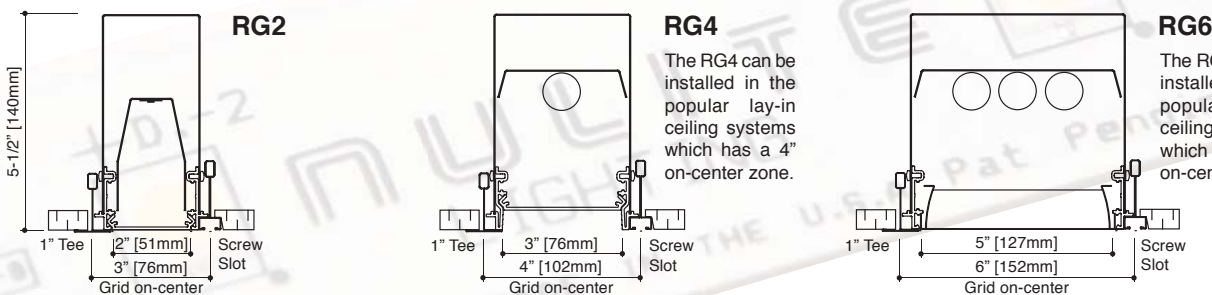


The Regolo series is our new architectural linear lighting system, offered in LED or linear fluorescent sources. This product can be mounted individually or in continuous rows and currently available for grid or drywall flange ceiling types. Our snap-in lens system provides a crisp aesthetic and modern appearance across all three aperture widths of nominal 2", 4" and 6". It's designed to satisfy the most discriminating of specifiers yet intelligently constructed to meet the budgets of most commercial construction projects.

This is just the beginning of the Regolo family of products... more to come soon.

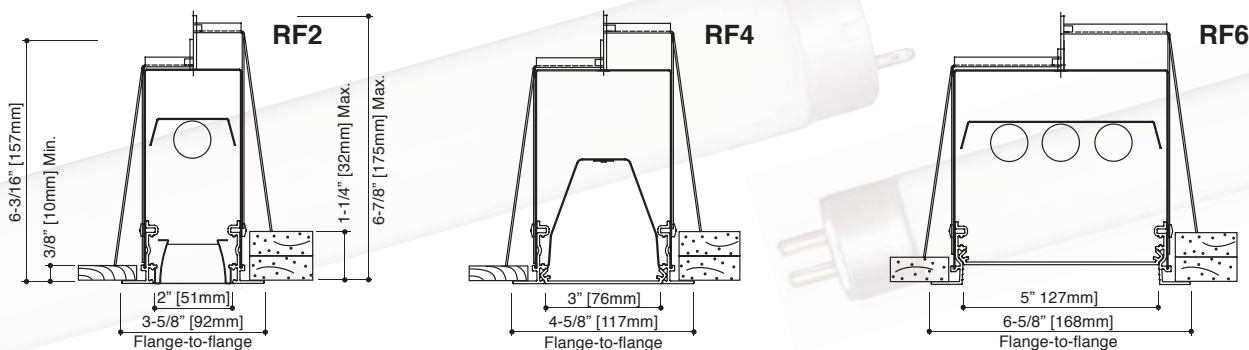
Grid Mount

The Regolo grid mount luminaire is designed to work in all standard ceiling grid systems. Grid units come with pry-out grid hooks to support the unit on the grid. The grid style is available in LED or linear fluorescent, individual or continuous row mounting.



Flange Mount

The Regolo flange mount luminaire is designed to work in drywall type ceiling installations. Flanged units are supplied with adjustable support yokes to work with ceiling materials between 3/8" to 1-1/4" thick. Nulite provides a ceiling jig with all flange orders to ensure a proper cutout. The flange style is available in LED or linear fluorescent, individual or continuous row mounting.



Frosted or Satin White Lens?



Frosted Lens

This diffuser is designed for a balance between efficiency and lens uniformity. (Transmission ~ 89%)

Satin White Lens

This diffuser is designed for visible lens uniformity. It's recommended for staggered lamp configurations. (Transmission ~ 69%)

Nulite LED Technology

Nulite's LED circuit boards are manufactured in the USA to our specifications. Available in three color temperatures: 3000K, 3500K or 4000K. L70 ≥ 50,000 hours. LED boards are fastened to heat sinking white reflectors. Board assemblies are removable for service or replacement.

Our standard electronic driver is a constant current design with 0-10V dimming inputs. Dimming range is from 100% to 10%.

Nulite has a 5-year limited warranty on LED boards and drivers. Consult factory for more information.