



Type:	Project:	Qty:
	Date:	
Catalog #:		

Description:

The Nulite Regolo RZ4 LED series is a narrow recessed perimeter slot system. The slender design is ideal for highlighting textured walls in corridors, offices, classrooms, lobbies and general purpose rooms.

Specifications:

Housing Construction: The housing is formed cold rolled steel painted after fabrication. Secure housing to structure by appropriate fasteners by others.

The optional Grid, Flange or Mud Ring Back Box consists of visible extruded aluminum trim and cold rolled steel housing with heavy gauge end caps.

Standard finish is white powder coat after fabrication.

Light Engine / Distribution: The light engine consists of an extruded aluminum, black finish, base/heat sink with a linear LED array and extruded acrylic refractive lens. The "Stretto Optics" refractive lens yields a precise narrow distribution to graze down the wall surface with 10° field adjustment. An optional diffuser with white body and no refractor, softens the beam for a wider distribution. LED color is available in 3000K, 3500K or 4000K and in 80CRI or 90CRI. Module is replaceable. L90 ≥ 100,000 hrs.

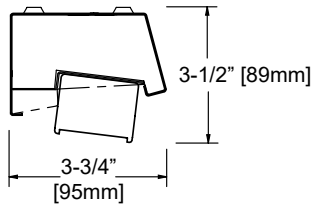
Driver: Standard constant current electronic driver with 0-10V dimming input; dimming range from 100% down to 1%. Universal (UNV) voltage is from 120 - 277V, 50/60 Hz. Other dimming driver options are available.

Mounting: Surface, individual or continuous runs. Back box IC rated.

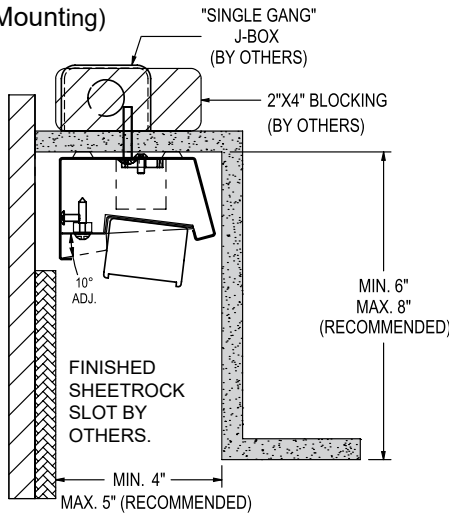
Labels: ETL listed, conforms to UL Standard 1598 and 8750, Damp location.

Warranty: 5-year limited warranty on LED and Driver.

Light Engine w/ Driver Housing



Trimless Slot (Standard Mounting)



Ordering Information

Sample: RZ4-07L35-UNV-D-1C-N-F-16'-BB

Series	Lumen Package ¹ / LED Color	Voltage	Driver	Circuit	Optics	Mounting	Slot Length	Options	
RZ4									
RZ4 (Perimeter System)	05 (~499 lm/ft, 4.73 W/ft)	80CRI	UNV	Dimming (0-10V)	1C Single Circuit 1E Single Circuit w/ EM Circuit 1B Single Circuit w/ Battery Pack	N Narrow Distribution "Stretto Optics" 22 Degree Beam W Wide Distribution	T Trimless Slot (Standard) G ⁴ Grid Clg. Slot Back Box, see page 3. F ⁴ Flange Slot Back Box, see page 3. M ⁴ Mud Ring Slot Back Box, see page 3.	Slot Length ⁵ XX' - Specify slot length in half foot increments. Minimum length is 2'. Light engine will be approximately half a foot shorter than slot length.	
	07 (~765 lm/ft, 7.65 W/ft)	L30	120	D ² (Dim to 1%)					BB ⁶ Back Box shipped prior to luminaire. BM ⁷ Base Mount (Uplight Vertical Surface) Consult Factory for Corners.
	10 (~998 lm/ft, 10.23 W/ft)	L35	277	D0 ³ (Dim to 0%)					
		L40		Lutron Dimming					
		H30		See Page 2 for Ordering Codes					
		H35		DALI Dimming					
H40	90CRI	eldoLED ECOdrive ELE (Dim to 1%) eldoLED SOLOdrive ELS (Dim to 0%)							

Notes:

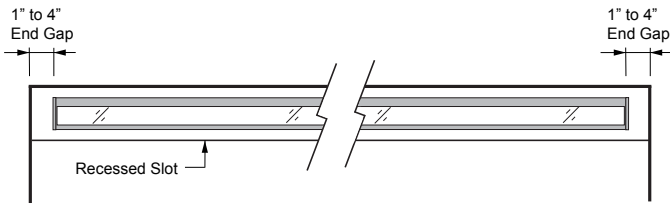
1. Nominal lumen output per foot.
2. Standard driver, don't connect low-voltage wires for non-dimming applications. Consult factory for specifications and manufacturer.
3. Consult factory for specifications and manufacturer.
4. Back boxes can be shipped prior to the luminaires. Use option code BB.
5. 1" increments are available slot lengths, consult factory.
6. BB option is only available for G, F or M mounting options.
7. BM (Base Mount) only available for T mounting.

Specifications and dimensions are subject to change without notification. Specification sheets on our website supersede all other versions. 2017 Rev. B Nulite reserves the right to bulk package any order.



Recommended End Gaps

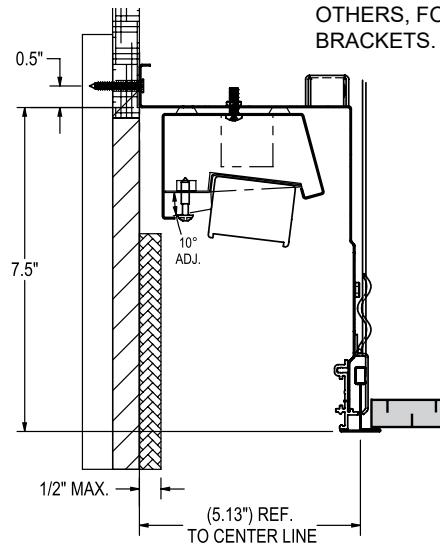
NULITE RECOMMENDS A MINIMUM OF 1" END GAP BETWEEN THE LUMINAIRE AND THE END OF THE SLOT. MINIMUM SLOT LENGTH IS 2'. WE PROVIDE SUBMITTAL DRAWINGS FOR EACH RUN LENGTH. OUR STANDARD GAP IS 3" PER END FOR ALL 6" INCREMENT RUNS.



Reflected Ceiling Plan of a Slot

Grid Ceiling Slot Back Box

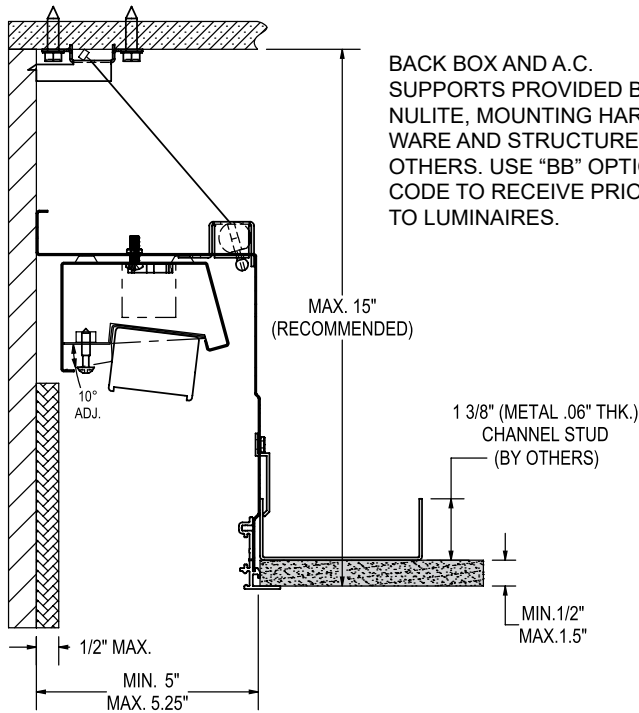
SUPPORT STRUCTURE AND HARDWARE, BY OTHERS, FOR GRID BRACKETS.



BACK BOX AND GRID BRACKETS PROVIDED BY NULITE. USE "BB" OPTION CODE TO RECEIVE PRIOR TO LUMINAIRES.

Flange Slot Back Box

BACK BOX AND A.C. SUPPORTS PROVIDED BY NULITE, MOUNTING HARDWARE AND STRUCTURE BY OTHERS. USE "BB" OPTION CODE TO RECEIVE PRIOR TO LUMINAIRES.



Mud Ring Slot Back Box

BACK BOX AND A.C. SUPPORTS PROVIDED BY NULITE, MOUNTING HARDWARE AND STRUCTURE BY OTHERS. USE "BB" OPTION CODE TO RECEIVE PRIOR TO LUMINAIRES.

