



Type:	Project:	Qty:
	Date:	
Catalog #:		

Description:

The Regolo RT6 series is a nominal 6" profile recessed trimless LED luminaire. The slender design is ideal for corridors, open and private offices, classrooms, lobbies and general purpose rooms.

Specifications:

Construction: The housing consists of extruded aluminum side rails with formed cold rolled steel back channel and heavy gauge end caps. Standard finish is powder coat textured white. Optional silver, black or custom color paint finishes.

Reflector / Driver: Reflector / driver cover is finished with high reflectance white paint. Optional asymmetric semi-specular aluminum reflector. Standard constant current electronic driver with 0-10V dimming input; dimming range from 100% down to 1%. Universal (UNV) voltage is from 120 - 277V, 50/60 Hz.

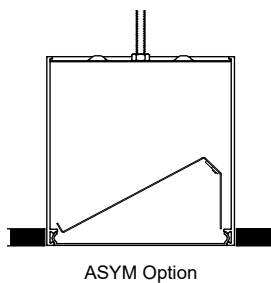
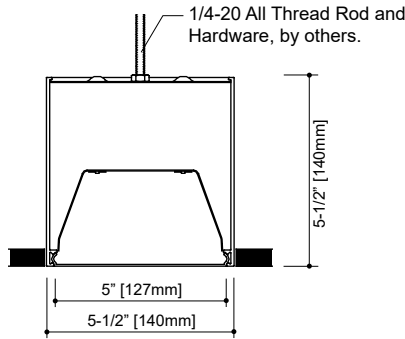
Shielding: Extruded frosted acrylic or satin white acrylic snap-in lens with DR.

LED Module: Distributed LED array in a variety of lumen output packages. LED color is available in 3000K, 3500K or 4000K and in 80CRI or 90CRI. Module is replaceable. L90 ≥ 100,000 hrs.

Mounting: Recessed, individual or continuous row. Non-IC rated.

Labels: ETL listed, conforms to UL Standard 1598 / 8750 and CSA Standard C22.2, Damp location.

Warranty: 5-year limited warranty on LED and Driver.



Ordering Information

Sample: RT6-05L35-UNV-D0-1C-FRF-WH-20'

Series	Lumen Package ¹ / Color	Voltage	Driver	Circuit	Shielding	Color	Length	Options
RT6								
RT6 (Trimless - Nom. 6")	05 (~571 lm/ft, 4.85W/ft)	80CRI	UNV	Dimming (0-10V)	1C Single Circuit	FRF (Frosted Flush)	2'	OS End of run Occupancy Sensor DS End of run Daylight Sensor ASYM ⁵ Asymmetric Reflector GLR Fusing See Accessories for Corners and Downlight Modules
	06 (~728 lm/ft, 6.38W/ft)	L30	120	D ² (Dim to 1%)	1E Single Circuit w/ EM Circuit	STF (Satin White Flush)	3'	
	09 (~882 lm/ft, 7.79W/ft)	L35	277	D0 ³ (Dim to 0%)	1B Single Circuit w/ Battery Pack	Consult factory for uplight shielding or dust cover.	4'	
	10 (~1035 lm/ft, 9.39W/ft)	L40		Lutron Dimming		SV (Silver)	5'	
	13 (~1269 lm/ft, 11.6W/ft)	90CRI		See Page 2 for Ordering Codes	CC (Custom Color)	6'		
	17 (~1576 lm/ft, 14.6W/ft)	H30		DAI Dimming		7'		
	H35		eldoLED ECOdrive		8'	Continuous Runs ⁴ XX' Specify run length in 1 foot increments. Consult factory for custom lengths.		
	H40		ELE (Dim to 1%)					
			eldoLED SOLOdrive					
			ELS (Dim to 0%)					

Notes:

- Nominal lumen output per foot w/ frosted lens and 3500K.
- Standard driver, don't connect low-voltage wires for non-dimming applications. Consult factory for specifications and manufacturer.
- Consult factory for specifications and manufacturer.
- 6" increments are common custom lengths. We can provide custom run length down to the nearest (+/- 1/8").
- Only available with Frosted Flush lens.



Specifications and dimensions are subject to change without notification. Specification sheets on our website supersede all other versions. 2017 Rev. D3 Nulite reserves the right to bulk package any order.

Lens Options

Shielding



Frosted Lens
This diffuser is designed for a balance between efficiency and lens uniformity. (Transmission ~ 89%)

Satin White Lens
This diffuser is designed for visible lens uniformity. It's recommended for regressed lens configuration in our shallow housing. (Transmission ~ 69%)

Sensor Option

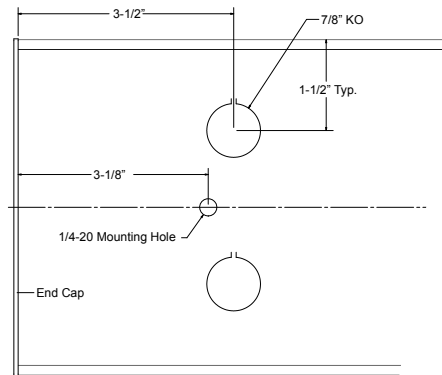


Lutron Driver Ordering Codes

Nulite Code	Lutron Prefix	Lutron Series	Dim Level	Control Type	
				3-Wire	Eco-System™
L11	L3DAE	Hi-lume™	1%		Yes
L12	L3DA3W	Hi-lume™	1%	Yes	
L15	LDE1*	Hi-lume™ - H Series	1%		Yes
L16	LDE5	5-Series	5%		Yes

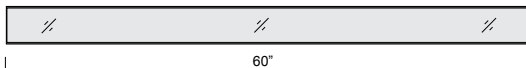
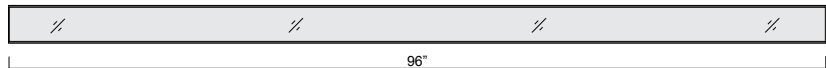
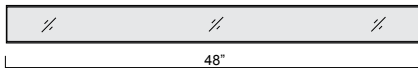
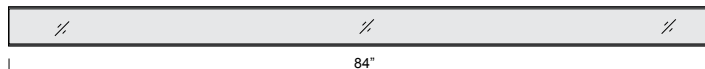
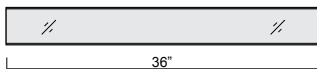
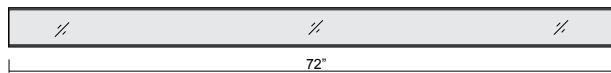
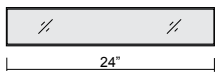
* Soft-on, Fade-to-Black™

Back of Housing Mounting Holes & Power Feed KO



Typical End of Housing Detail

Individual Lengths



Continuous Run Lengths

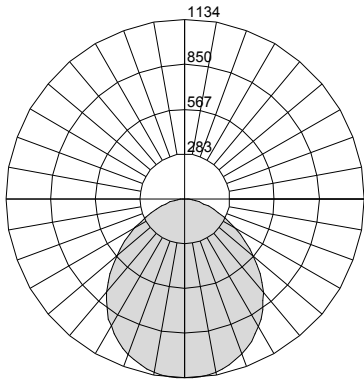
Run Length

Number of Housings	Run Length																																																
	2'	3'	4'	5'	6'	7'	8'	9'	10'	11'	12'	13'	14'	15'	16'	17'	18'	19'	20'	21'	22'	23'	24'	25'	26'	27'	28'	29'	30'	31'	32'	33'	34'	35'	36'	37'	38'	39'	40'	41'	42'	43'	44'						
2'	1																																																
3'		1																																															
4'			1				1	1	1	1						1	1	1	1						1	1	1	1				1	1	1	1							1	1	1	1				
5'				1			1				1					1				1					1	1	1	1				1											1						
6'					1			1				1				1				1					1	1	1	1				1												1					
7'						1			1				1			1				1				1	1	1	1				1														1				
8'							1			1	1	1	1	1	2	1	1	1	1	2	2	2	2	3	2	2	2	3	3	3	3	4	3	3	3	3	4	4	4	4	4	5	4	4	4	5			

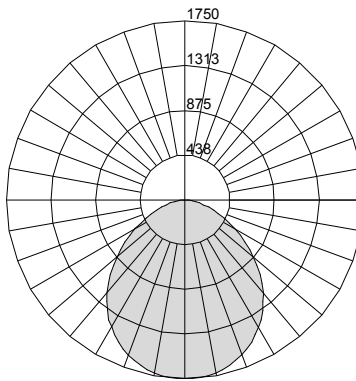
Specifications and dimensions are subject to change without notification.

Photometric Curves

Cat. # RT6-05L35-...-FRF-...-4'
 Wattage/ft - 4.85
 Lumens/Watt - 118



Cat. # RT6-09L35-...-FRF-...-4'
 Wattage/ft - 7.79
 Lumens/Watt - 113



Cat. # RT6-05L35-...-FRF-...-4'-ASYM
 Wattage/ft - 5.25
 Lumens/Watt - 109

