

Available in



Regolo 6 Trimless Series

Type:	Project:	Qty:
	Date:	
Catalog #:		

Description:

The Nulite Regolo RT6 series is a nominal 6" profile recessed trimless luminaire. The product is ideal for illuminating corridors, open and private offices, classrooms, lobbies and general purpose rooms.

Specifications:

Construction: The housing consists of extruded aluminum side rails with formed cold rolled steel back channel and heavy gauge end caps. Housing can be joined together for continuous row applications. Standard finish is powder coat textured white. Optional silver, black or custom color paint finishes.

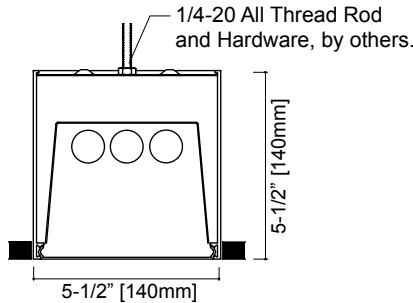
Reflector / Ballast: Reflector / ballast cover is finished with high reflectance white paint. Standard electronic, Class P, ballast. Universal (UNV) voltage ballast is from 120 - 277V.

Shielding: Extruded frosted acrylic or satin white acrylic snap-in lens with DR; semi-specular cross blade flush baffle.

Lamping: 1, 2 or 3 lamp cross-section T5, T5HO or T8. Optional staggered lamp configuration for continuous run applications over 6'. Luminaire can be ordered with lamps, consult factory.

Mounting: Recessed, individual or continuous row.

Labels: UL / cUL listed, Non-IC rated, Damp location.



Ordering Information

Sample: RT6-2T8-N-277-PSN-1B-FRF-BK-4'-OS

Series	Lamp	Staggered	Voltage	Ballast		Circuit	Shielding	Color	Length	Options	
RT6											
RT6 (Trimless - Nom. 6")	1T5	N (Non-staggered)	UNV	T8 Options		1C Single Circuit	FRF (Frosted Flush) STF (Satin White Flush) SBB (Flush Semi-spec Blade) Consult factory for uplight shielding or dust cover.	WH (White - Standard) BK (Black) SV (Silver) CC (Custom Color)	2' 3' 4' 5' 6' 7' 8' Continuous Runs "XX" Specify run length in 1' increment for non-staggered and 6" increments for staggered.	GLR Fusing FLEX 6' of Flex OS Occupancy Sensor at end of run / unit DS Daylight Sensor at end of run / unit	
	1T5HO	S ¹ (Staggered lamps)	120	IS (Standard)	N Normal (Standard)	1E Single Circuit w/ EM Circuit					
	1T8		277	PS	L Low	1B ³ Single Circuit w/ Battery Pack					
	2T5		347 ²	HEIS	H High	2C ⁴ Dual Circuit					
	2T5HO			HEPS		2E ⁴ Dual Circuit w/ EM Circuit					
	2T8			T5 / T5HO		2B ^{3,4} Dual Circuit w/ Battery Pack					
	3T5			PS (Standard)	N Normal						
	3T5HO			HEPS ²							
	3T8			All Lamp Dimming Options							
				DIM ² Dimming SD ² Step Dimming							
			IS=Instant Start PS=Program Start HEIS=High Efficiency Instant Start HEPS=High Efficiency Program Start								

Notes:

1. Not available in 3-lamp cross-section.
2. Consult factory for availability.
3. Specific voltage must be ordered for this option. Reduced profile battery packs only, consult factory for specifications. Not all electrical options are available.
4. Not all options are available for all lamp configurations.

Specifications and dimensions are subject to change without notification. Specification sheets on our website supersede all other versions. 2015 Rev. D Nulite reserves the right to bulk package any order.

Shielding Options



Frosted Lens

This diffuser is designed for a balance between efficiency and lens uniformity. (Transmission ~ 89%)

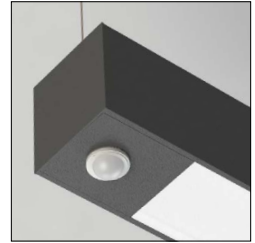
Satin White Lens

This diffuser is designed for visible lens uniformity. It's recommended for regressed lens configuration in our shallow housing. (Transmission ~ 69%)

Semi-Specular Baffle

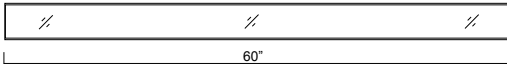
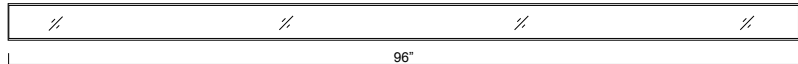
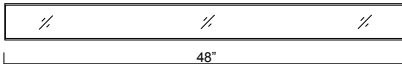
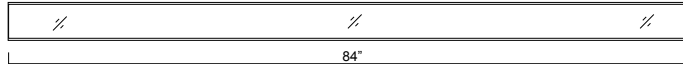
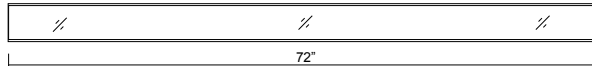


Sensor Options



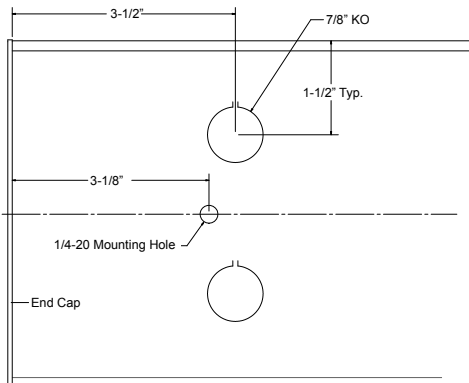
Occupancy or Daylight Sensor in a nominal 3" long insert plate. Lamps extend under the sensor plate and are removable without removing the sensor.

Individual Lengths



End cap thickness is 5/64"

Back of Housing Mounting Holes & Power Feed KO



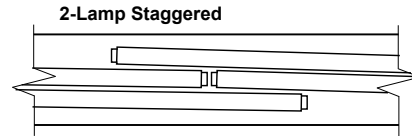
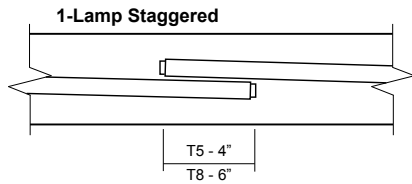
Continuous Non-Staggered Run Lengths

Non-Staggered Run Length (A = Stand Alone Housing, S = Starter Housing, M = Mid Housing, E = End Housing)

	2'	3'	4'	5'	6'	7'	8'	9'	10'	11'	12'	13'	14'	15'	16'	17'	18'	19'	20'	21'	22'	23'	24'	25'	26'	27'	28'	29'	30'	31'	32'	33'	34'	35'	36'	37'	38'	39'	40'		
24A	1																																								
36A		1																																							
48A			1																																						
60A				1																																					
72A					1																																				
84A						1																																			
96A							1																																		
72S								1	1							1	1																								
96S										1	1	1	1	1	1			1	1	1	1	1	1														1	1	1	1	
96M																1	1	1	1	1	1	1	1	2	2	2	2	2	2	2	2	3	3	3	3	3	3	3	3		
36E								1	1							1	1																								
48E									1	1							1																								
60E																																									
72E																																									
84E																																									
96E																																									

Shaded columns require all 4' lamps.

Continuous Staggered Run Lengths



1-Lamp Staggered Run Length (A = Stand Alone Housing, S = Starter Housing, M = Mid Housing, E = End Housing)

	6'	6.5'	7'	7.5'	8'	8.5'	9'	9.5'	10'	10.5'	11'	11.5'	12'	12.5'	13'	13.5'	14'	14.5'	15'	15.5'	16'	16.5'	17'	17.5'	18'	18.5'	19'	19.5'	20'	20.5'	21'	21.5'	22'	22.5'	23'	23.5'	24'	24.5'	25'	25.5'	26'	26.5'	27'	27.5'	28'	28.5'						
72A	1																																																			
78A		1																																																		
84A			1																																																	
90A				1																																																
96A					1																																															
66S						1	1	1																																												
90S									1	1	1	1	1	1	1	1	1	1	1	1	1	1	1	1	1	1	1	1	1	1	1	1	1	1	1	1	1	1	1	1	1	1	1	1	1	1	1	1				
84M																																																				
30E										1																																										
36E																																																				
42E																																																				
48E																																																				
54E																																																				
60E																																																				
66E																																																				
72E																																																				
78E																																																				
84E																																																				
90E																																																				

Shaded columns require all 4' lamps.

