

Type:	Project:	Qty:
	Date:	
Catalog #:		

Description:

The Regolo RT2 series is a narrow, nominal 2" wide, recessed trimless LED luminaire. The slender design is ideal for corridors, open and private offices, classrooms, lobbies and general purpose rooms.

Specifications:

Construction: The housing consists of visible extruded aluminum side rails with formed cold rolled steel back channel and heavy gauge end caps. Standard finish is powder coat textured white. Optional silver, black or custom color paint finishes.

Reflector / Driver: Reflector / driver cover is finished with high reflectance white paint. Standard constant current electronic driver with 0-10V dimming input; dimming range from 100% down to 1%. Universal (UNV) voltage is from 120 - 277V, 50/60 Hz.

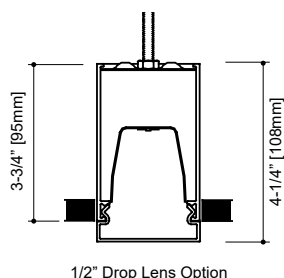
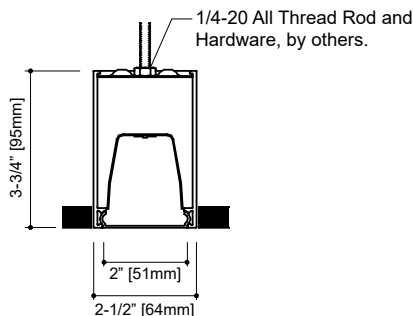
Shielding: Extruded frosted or satin white acrylic snap-in lens with DR.

LED Module: Distributed LED array in a variety of lumen output packages. LED color is available in 3000K, 3500K or 4000K and in 80CRI or 90CRI. Module is replaceable. L90 ≥ 100,000 hrs.

Mounting: Recessed, individual or continuous row. Non-IC rated.

Labels: ETL listed, conforms to UL Standard 1598 / 8750 and CSA Standard C22.2, Damp location.

Warranty: 5-year limited warranty on LED and Driver.



Ordering Information

Sample: RT2-05L35-UNV-D1-1C-FRF-WH-20'

Series	Lumen Package ¹ / LED	Voltage	Driver	Circuit	Shielding	Color	Length	Options				
RT2												
RT2 (Trimless - Nom. 2")	03 (~393 lm/ft, 3.28W/ft)	80CRI	UNV	Dimming (0-10V)	1C Single Circuit	FRF (Frosted Flush)	2'	OS ⁶ End of run Occupancy Sensor DS ⁶ End of run Daylight Sensor FLEX 6' of Flex GLR Fusing See Accessories for Corners				
	05 (~573 lm/ft, 4.85W/ft)	L30					120		D ² (Dim to 1%)	1E ⁴ Single Circuit w/ EM Circuit	FRD (Frosted Drop Opaque End)	3'
		L35					277		D0 ³ (Dim to 0%)			1B ⁴ Single Circuit w/ Battery Pack
	06 (~732 lm/ft, 6.38W/ft)	L40	90CRI	Lutron Dimming	STF (Satin White Flush)	SV (Silver)			5'			
	09 (~886 lm/ft, 7.79W/ft)	H30		See Page 2 for Ordering Codes			STF (Satin White Drop Luminous End)		CC (Custom Color)	6'		
		H35		DALI Dimming						7'		
		H40		eldoLED ECODrive						8'		
	Consult Factory for Custom Lumen Package				eldoLED ELEDrive	STD (Satin White Drop Opaque End)			Continuous Runs⁵ XX' Specify run length in 1 foot increments. Consult factory for custom lengths.			
					eldoLED SOLOdrive	STL (Satin White Drop Luminous End)						
					ELS (Dim to 0%)							

Notes:

- Nominal lumen output per foot w/ frosted lens and 3500K.
- Standard driver, don't connect low-voltage wires for non-dimming applications. Consult factory for specifications and manufacturer.
- Consult factory for specifications and manufacturer.
- Circuiting option does NOT come with a plug-in wire connector between units. Contractor must field wire. Battery N/A in 2' and 3'.
- 6" increments are common custom lengths. We can provide custom run length down to the nearest (+/- 1/8").
- Not available with Drop Lens



Specifications and dimensions are subject to change without notification. Specification sheets on our website supersede all other versions. 2017 Rev. D2 Nulite reserves the right to bulk package any order.

Lens Options

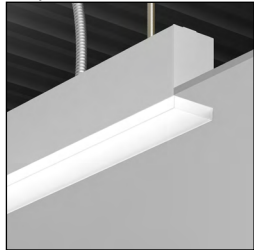
Shielding



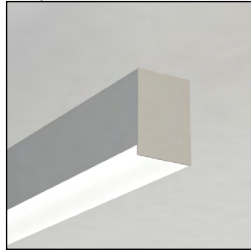
Frosted Lens
This diffuser is designed for a balance between efficiency and lens uniformity. (Transmission ~ 89%)

Satin White Lens
This diffuser is designed for visible lens uniformity. It's recommended for regressed lens configuration in our shallow housing. (Transmission ~ 69%)

“L” Luminous Acrylic End Drop Lens



“D” Opaque Metal End Drop Lens

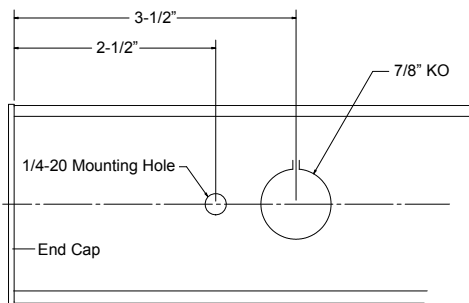


Lutron Driver Ordering Codes

Nulite Code	Lutron Prefix	Lutron Series	Dim Level	Control Type	
				3-Wire	Eco-System™
L11	L3DAE	Hi-lume™	1%		Yes
L12	L3DA3W	Hi-lume™	1%	Yes	
L15	LDE1*	Hi-lume™ - H Series	1%		Yes
L16	LDE5	5-Series	5%		Yes

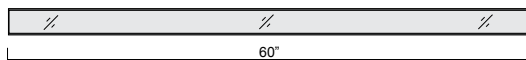
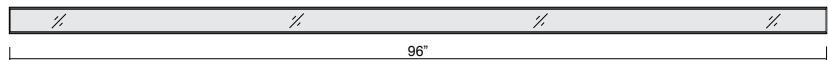
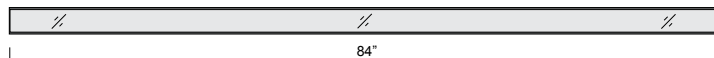
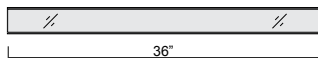
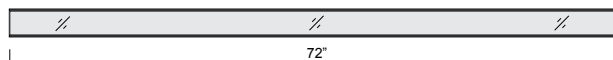
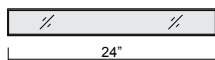
* Soft-on, Fade-to-Black™

Back of Housing Mounting Holes & Power Feed KO



Typical End of Housing Detail

Individual Lengths



Specifications and dimensions are subject to change without notification.

Continuous Run Lengths

		Run Length																																																				
		2'	3'	4'	5'	6'	7'	8'	9'	10'	11'	12'	13'	14'	15'	16'	17'	18'	19'	20'	21'	22'	23'	24'	25'	26'	27'	28'	29'	30'	31'	32'	33'	34'	35'	36'	37'	38'	39'	40'	41'	42'	43'	44'										
Number of Housings	2'	1																																																				
	3'		1																																																			
	4'			1					1	1	1	1						1	1	1	1						1	1	1	1																								
	5'				1				1												1																																	
	6'					1				1													1																															
	7'						1				1													1																														
	8'							1				1	1	1	1	1	2	1	1	1	1	2	2	2	2	2	3	2	2	2	2	3	3	3	3	4	3	3	3	3	4	4	4	4	4	5	4	4	4	4	5			

Photometric Curves

Cat. # RT2-4D-05L35-...-FRF-...-4'

Frosted Flush Lens

Wattage/ft - 4.85

Lumens/Watt - 118

