

Regolo 4 Surface Series



Available in



Type:	Project:	Qty:
	Date:	
Catalog #:		

Description:

The Nulite Regolo RR4 series is a nominal 4" wide surface mount luminaire. The product is ideal for illuminating corridors, open and private offices, classrooms, lobbies and general purpose rooms.

Specifications:

Construction: The housing consists of visible extruded aluminum side rails with formed cold rolled steel back channel and heavy gauge end caps. Housing can be joined together for continuous row application. Standard finish is powder coat textured white. Optional silver, black or custom color paint finishes.

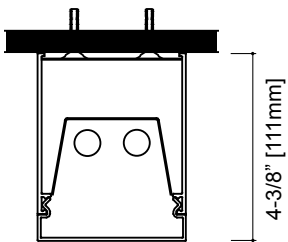
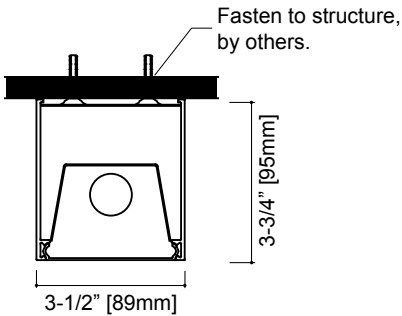
Reflector / Ballast: Reflector / ballast cover is finished with high reflectance white paint. Standard electronic, Class P, ballast. Universal (UNV) voltage ballast is from 120 - 277V.

Shielding: Extruded frosted acrylic or satin white acrylic snap-in lens with DR; semi-specular blade flush baffle only available in nominal 6" high housing (Consult Factory).

Lamping: 1 or 2 lamp cross-section T5, T5HO or T8. Optional staggered lamp configuration for continuous run applications over 6'. Luminaire can be ordered with lamps, consult factory.

Mounting: Surface mounting, individual or continuous row.

Labels: UL / cUL listed, Damp location.



5/8" Drop Lens Option

Ordering Information

Sample: RR4-1T5HO-N-UNV-PSN-1C-FRF-WH-4'

Series	Lamp	Staggered	Voltage	Ballast		Circuit	Shielding	Color	Length	Options	
RR4											
RR4 (Surface - Nom. 4")	1T5	N (Non-staggered)	UNV	T8 Options	Ballast Factor	1C Single Circuit	FRF (Frosted Flush)	WH (White - Standard)	2'	GLR Fusing	
	1T5HO	S (Staggered lamps)	120	IS (Standard)	N Normal (Standard)	1E Single Circuit w/ EM Circuit	FRD (Frosted Drop Opaque End)	BK (Black)	3'	FLEX 6' of Flex	
	1T8		277	PS	L Low	1B ³ Single Circuit w/ Battery Pack	FRL (Frosted Drop Luminous End)		4'	OS ⁵ Occupancy Sensor at end of run / unit	
	2T5		347 ¹	HEIS	H High	2C ² Dual Circuit	STF (Satin White Flush)		5'	DS ^{5,6} Daylight Sensor at end of run / unit	
	2T5HO			HEPS		2E ² Dual Circuit w/ EM Circuit	STD (Satin White Drop Opaque End)		6'	Continuous Runs XX' Specify run length in 1 foot increments. Consult factory for custom lengths.	
	2T8			T5 / T5HO	Ballast Factor	2B ^{2,3} Dual Circuit w/ Battery Pack	STL (Satin White Drop Luminous End)	7'			
					PS (Standard)	N Normal		SBB ⁴ (Flush Semi-spec Blade)	8'		
					HEPS ¹			Consult factory for uplight shielding or dust cover			
					All Lamp Dimming Options						
					DIM ¹ Dimming SD ¹ Step Dimming						
				IS=Instant Start PS=Program Start HEIS=High Efficiency Instant Start HEPS=High Efficiency Program Start							

Notes:

1. Consult factory.
2. Not available in all options, consult factory.
3. Specific voltage must be ordered for this option. Reduced profile battery packs only, consult factory for specifications.
4. Only available in nominal 6" high housing, **consult factory**.
5. Luminaire will have a 3" extension for the sensor.
6. Not available with luminous end drop lens.

Specifications and dimensions are subject to change without notification. Specification sheets on our website supersede all other versions. 2015 Rev. D Nulite reserves the right to bulk package any order.

Shielding Options



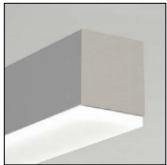
Frosted Lens

This diffuser is designed for a balance between efficiency and lens uniformity. (Transmission ~ 89%)

Satin White Lens

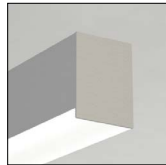
This diffuser is designed for visible lens uniformity. It's recommended for regressed lens configuration in our shallow housing. (Transmission ~ 69%)

Drop Lens - "L"



5/8" Drop Lens with Luminous Acrylic Ends

Drop Lens - "D"

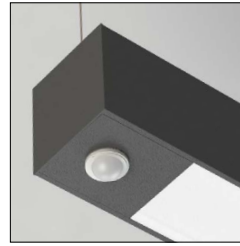


5/8" Drop Lens with Opaque White Metal Ends

Semi-Specular Baffle

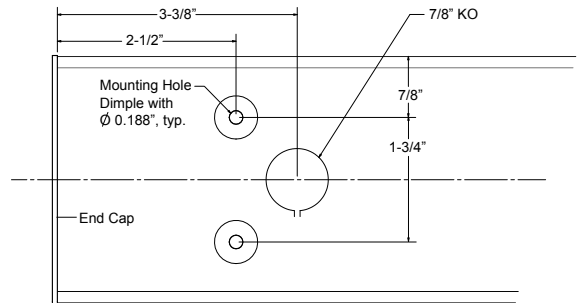


Sensor Options



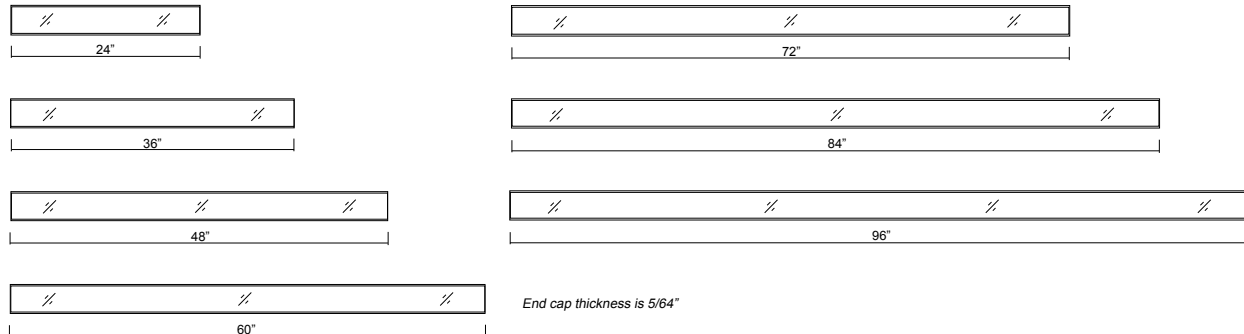
Occupancy or Daylight Sensor in a nominal 3" long insert plate. A 3" extension is needed for 4" high products. Lamps extend under the sensor plate and are removable without removing the sensor for 6" high products.

Back of Housing Mounting Holes & Power Feed KO



Typical End of Housing Detail

Individual Lengths

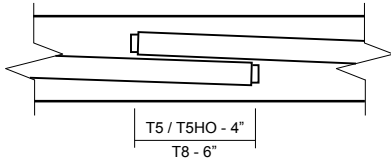


End cap thickness is 5/64"

Non-Staggered Run Length (A = Stand Alone Housing, S = Starter Housing, M = Mid Housing, E = End Housing)

	2'	3'	4'	5'	6'	7'	8'	9'	10'	11'	12'	13'	14'	15'	16'	17'	18'	19'	20'	21'	22'	23'	24'	25'	26'	27'	28'	29'	30'	31'	32'	33'	34'	35'	36'	37'	38'	39'	40'		
24A	1																																								
36A		1																																							
48A			1																																						
60A				1																																					
72A					1																																				
84A						1																																			
96A							1																																		
72S								1	1							1	1						1	1								1	1								
96S									1	1	1	1	1	1	1	1		1	1	1	1	1	1	1	1	1	1	1	1	1	1	1	1	1	1	1	1	1	1	1	1
96M																1	1	1	1	1	1	1	1	2	2	2	2	2	2	2	2	3	3	3	3	3	3	3	3	3	3
36E							1	1								1	1						1	1						1	1										
48E								1		1							1	1						1	1						1	1									
60E											1							1										1													
72E												1																	1												
84E													1																	1											
96E															1									1							1										

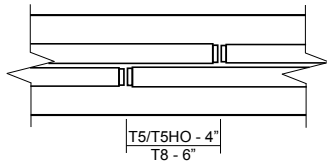
Specifications and dimensions are subject to change without notification.



1-Lamp Staggered Run Length (A = Stand Alone Housing, S = Starter Housing, M = Mid Housing, E = End Housing)

	6'	6.5'	7'	7.5'	8'	8.5'	9'	9.5'	10'	10.5'	11'	11.5'	12'	12.5'	13'	13.5'	14'	14.5'	15'	15.5'	16'	16.5'	17'	17.5'	18'	18.5'	19'	19.5'	20'	20.5'	21'	21.5'	22'	22.5'	23'	23.5'	24'	24.5'	25'	25.5'	26'	26.5'	27'	27.5'	28'	28.5'										
72A	1																																																							
78A		1																																																						
84A			1																																																					
90A				1																																																				
96A					1																																																			
66S						1	1	1												1	1	1																																		
90S									1	1	1	1	1	1	1	1	1	1	1	1	1	1	1	1	1	1	1	1	1	1	1	1	1	1	1	1	1	1	1	1	1	1	1	1	1	1	1	1	1	1	1	1				
84M																				1	1	1	1	1	1	1	1	1	1	1	1	1	1	1	1	1	1	1	1	1	1	1	1	1	1	1	1	1	1	1	1	1				
30E									1													1																																		
36E						1				1											1																																			
42E							1					1																																												
48E								1					1																																											
54E														1																																										
60E															1																																									
66E																1																																								
72E																	1																																							
78E																		1																																						
84E																				1																																				
90E																						1																																		

Shaded columns require all 4' lamps. Suspension points will NOT fall on 4' or 8' centers in staggered configurations.



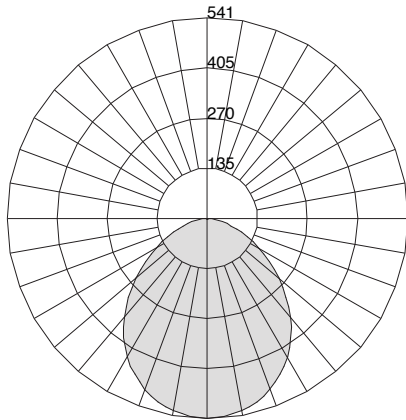
2-Lamp Staggered Run Length (A = Stand Alone Housing, S = Starter Housing, M = Mid Housing, E = End Housing)

	6'	6.5'	7'	7.5'	8'	8.5'	9'	9.5'	10'	10.5'	11'	11.5'	12'	12.5'	13'	13.5'	14'	14.5'	15'	15.5'	16'	16.5'	17'	17.5'	18'	18.5'	19'	19.5'	20'	20.5'	21'	21.5'	22'	22.5'	23'	23.5'	24'	24.5'	25'	25.5'	26'	26.5'	27'	27.5'	28'	28.5'															
72A	1																																																												
78A		1																																																											
84A			1																																																										
90A				1																																																									
96A					1																																																								
54S						1					1	1	1	1						1	1	1	1						1	1	1	1																													
78S							1	1	1	1					1	1	1	1						1	1	1	1																																		
96M																																																													
30E							1																																																						
36E								1																																																					
42E									1																																																				
48E										1																																																			
78E											1																																																		
84E												1																																																	
90E													1																																																
96E														1																																															

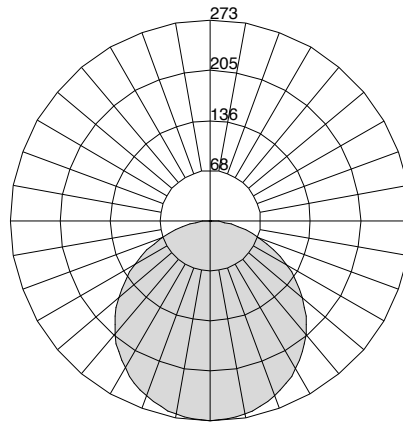
Shaded columns require all 4' lamps. Suspension points will NOT fall on 4' or 8' centers in staggered configurations.

Photometric Curves

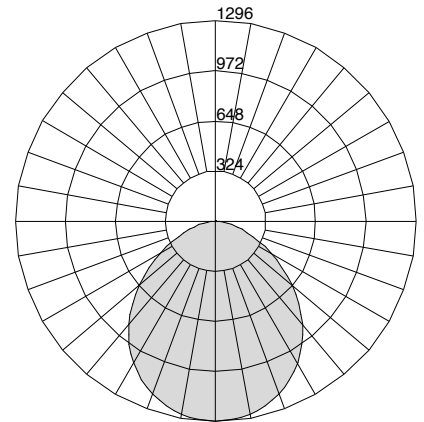
Cat. # RR4-1T8-N...-FRF-...-4'
 Frosted Flush Lens
 Initial lamp lumens - 2800



Cat. # RR4-1T8-N...-STF-...-4'
 Satin White Flush Lens
 Initial lamp lumens - 2800



Cat. # RR4-2T5-N...-FRF-...-4'
 Frosted Flush Lens
 Initial lamp lumens - 5200



Specifications and dimensions are subject to change without notification.