

Regolo 6 Pendant Series

Type:	Project:	Qty:
	Date:	
Catalog #:		

Description:

The Nulite Regolo fluorescent pendant series is a nominal 6" profile unit. The classical design is ideal for corridors, open and private offices, classrooms, lobbies and general purpose rooms.

Specifications:

Construction: The housing consists of visible extruded aluminum side rails with formed cold rolled steel back channel and heavy gauge end caps. Housing standard finish is electrostatically applied textured white powder coat paint. Optional silver, black or custom color paint finishes.

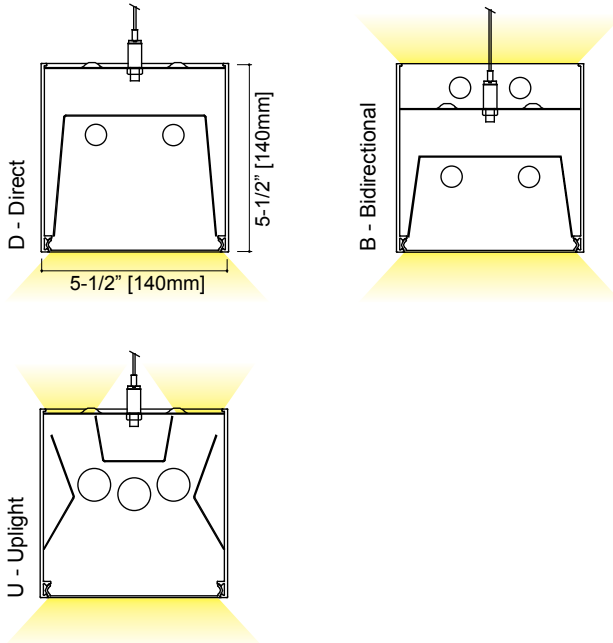
Reflector / Ballast: Reflector / ballast cover is finished with high reflectance white paint. Standard electronic, Class P, ballast. Universal (UNV) voltage ballast is from 120 - 277V.

Shielding: Extruded frosted acrylic or satin white acrylic snap-in lens with DR; semi-specular cross blade baffle. Indirect unit is an open aperture, consult factory for indirect shielding.

Lamping: Staggered and Non-staggered T5, T5HO or T8. Luminaire can be ordered with lamps, consult factory.

Mounting: Aircraft cable suspended, individual mount or continuous runs.

Labels: UL / cUL, Damp location listed.



Ordering Information

Sample: RP6-6B-3XT8-N-UNV-PSN-1C-FRF-WH-T1-48-16'

Series	Height/Distribution	Lamp	Staggered	Voltage	Ballast	Circuit	Shielding	Color	Mounting	Sus. L.	Length	
RP6												
RP6 Pendant - Nom. 6"	6	D ¹ Direct B ² Bidirectional U ¹ Uplight	N Non-Staggered S ⁶ Staggered	UNV 120 277 347 ³	T8 Options IS (Standard) Instant Start PS Program Start HEIS High Efficiency Instant Start HEPS High Efficiency Program Start T5/T5HO PS (Standard) Program Start HEPS ³ High Efficiency Program Start All Lamp Dimming Options DIM ³ Dimming SD ³ Step Dimming	Ballast Factor N Normal (Standard) L Low H High N Normal	1C Single Circuit 1E Single Circuit w/ EM Circuit 1B ⁴ Single Circuit w/ Battery Pack 2C ⁵ Dual Circuit 2E ⁵ Dual Circuit w/ EM Circuit 2B ^{4,5} Dual Circuit w/ Battery Pack	FRF (Frosted Flush) STF (Satin White Flush) SBB (Flush Semi-spec Blade) Consult factory for uplight shielding or dust cover.	WH (White) SV (Silver) BK (Black) CC (Custom Color)	T1 ⁷ (AC to 1" T) T9 ⁷ (AC to 9/16" T) TS ⁷ (AC to Slotted T) SR ⁷ (AC to Structure) (Consult factory for black mounting components)	48 (48" adjustable AC) 120 (120" adjustable AC)	2' 3' 4' 5' 6' 7' 8' Continuous Runs "XX" Specify run length in 1' increment for non-staggered and 6" increments for staggered.

Options	
GLR	Fusing
OS	Occupancy Sensor at end of run / unit
DS	Daylight Sensor at end of run / unit

Notes:

- Direct and Uplight are available 1, 2 or 3 lamp cross-sections.
- Bidirectional is available in 2 (1 up/1 dwn), 3 (1 up/2 dwn), 3X (2 up/1 dwn), 4 (2 up/2 dwn) or 5 (2 up/3 dwn) lamp cross-sections.
- Consult factory for availability.
- Specific voltage must be ordered for this option. Reduced profile battery packs only, consult factory for specifications. Not all electrical options are available.
- Not all options are available for all lamp configurations.
- Not available in Direct or Uplight 3-lamp cross-sections and Bidirectional 5 lamp cross-section.
- 5" diameter power canopy and 2" diameter non-power canopy, see page 4.

Shielding Options



Frosted Lens

This diffuser is designed for a balance between efficiency and lens uniformity. (Transmission ~ 89%)

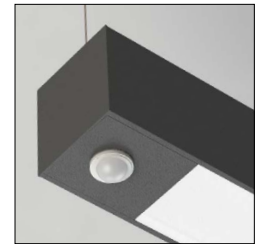
Satin White Lens

This diffuser is designed for visible lens uniformity. It's recommended for regressed lens configuration in our shallow housing. (Transmission ~ 69%)

Semi-Specular Baffle

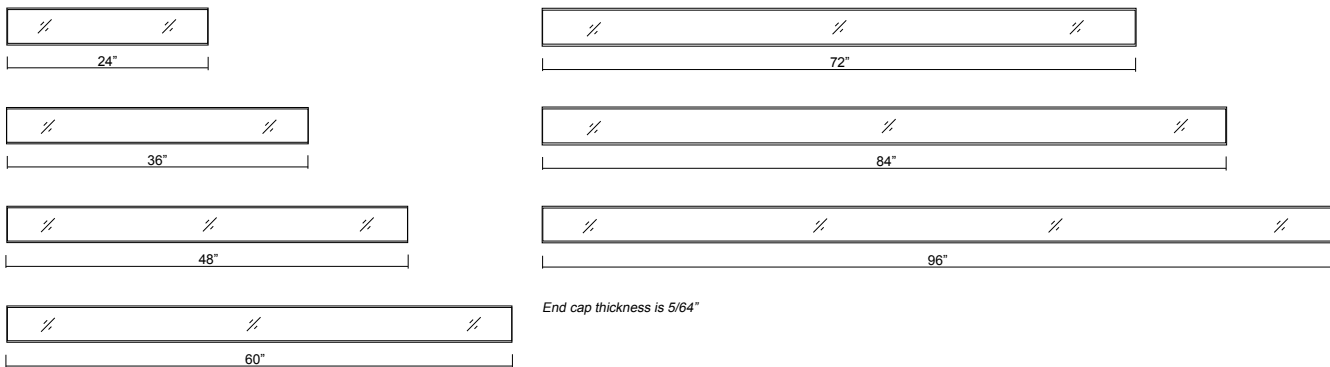


Sensor Options



Occupancy or Daylight Sensor in a nominal 3" long insert plate. Lamps extend under the sensor plate and are removable without removing the sensor.

Individual Lengths



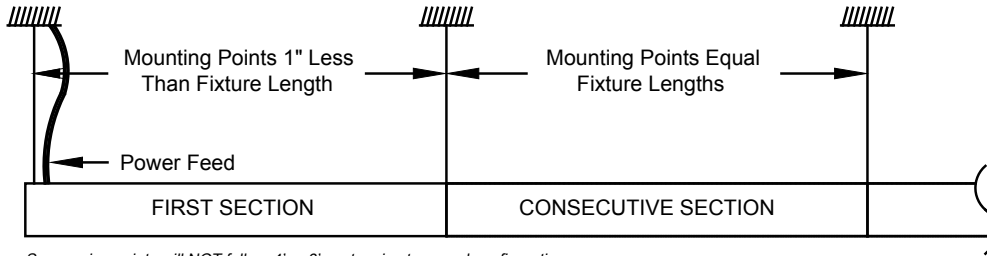
End cap thickness is 5/64"

Continuous Non-Staggered Run Lengths

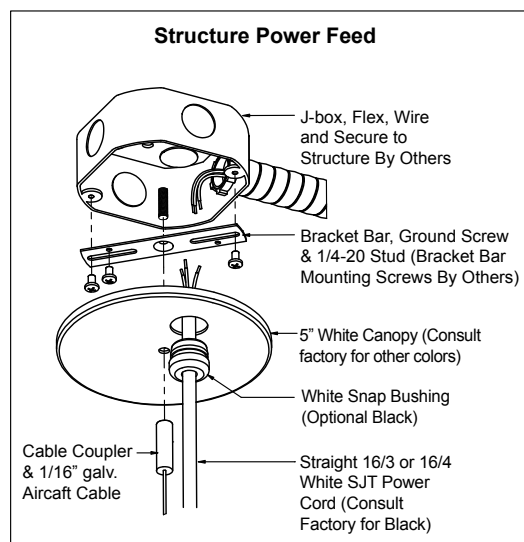
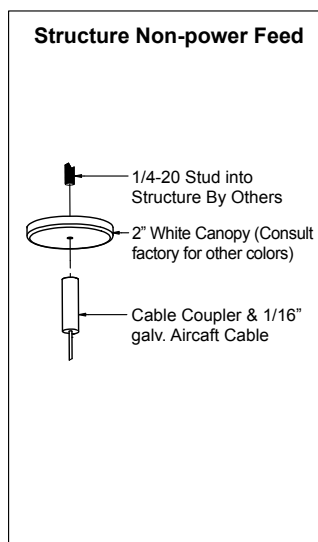
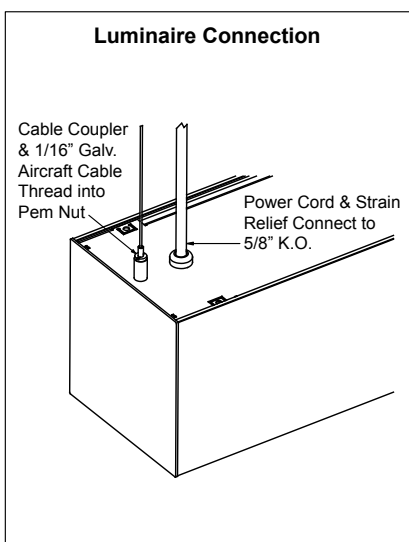
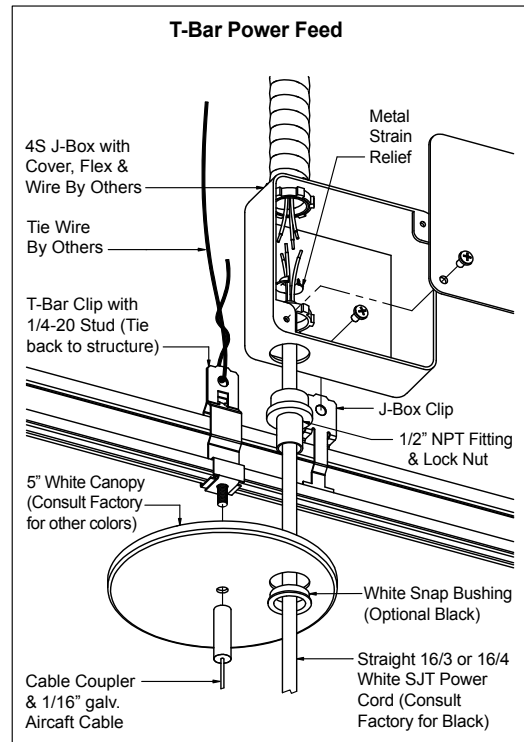
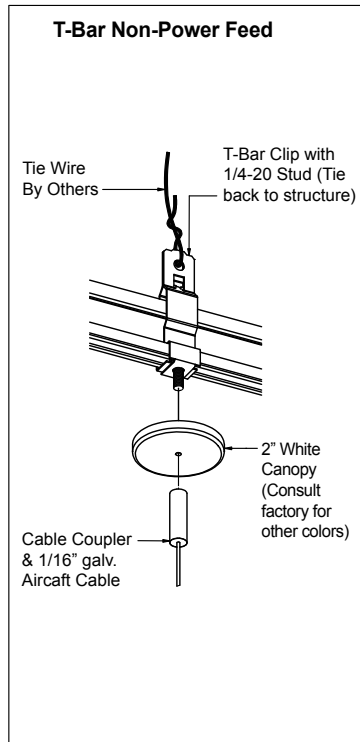
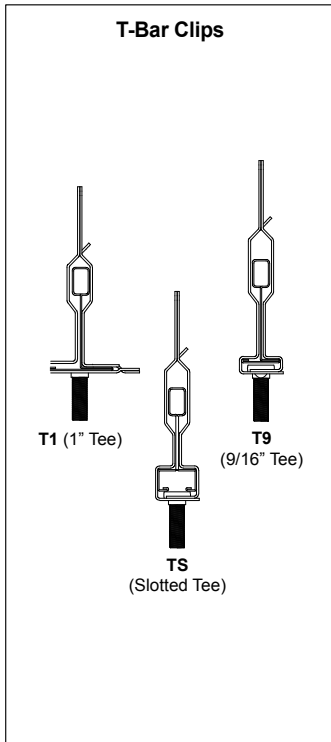
Non-Staggered Run Length (A = Stand Alone Housing, S = Starter Housing, M = Mid Housing, E = End Housing)

	2'	3'	4'	5'	6'	7'	8'	9'	10'	11'	12'	13'	14'	15'	16'	17'	18'	19'	20'	21'	22'	23'	24'	25'	26'	27'	28'	29'	30'	31'	32'	33'	34'	35'	36'	37'	38'	39'	40'	
24A	1																																							
36A		1																																						
48A			1																																					
60A				1																																				
72A					1																																			
84A						1																																		
96A							1																																	
72S								1	1							1	1								1	1					1	1								
96S										1	1	1	1	1	1	1		1	1	1	1	1	1		1	1	1	1	1	1		1	1	1	1	1	1	1	1	1
96M																1	1	1	1	1	1	1	1	2	2	2	2	2	2	2	2	3	3	3	3	3	3	3	3	3
36E								1	1							1	1							1	1					1	1									
48E									1	1							1	1							1	1					1	1								
60E											1								1							1									1					
72E												1								1							1										1			
84E													1									1						1										1		
96E														1									1																1	

Shaded columns require all 4' lamps.



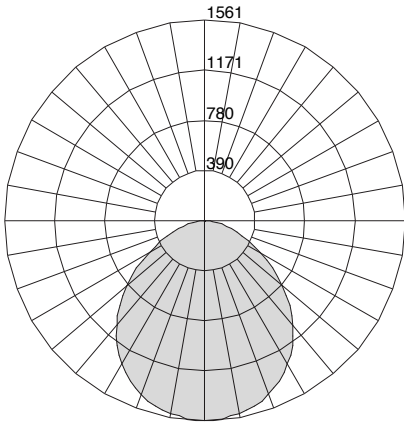
Suspension points will NOT fall on 4' or 8' centers in staggered configurations.



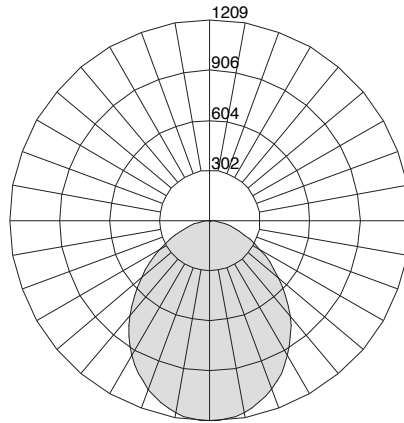
Specifications and dimensions are subject to change without notification.

Photometric Curves

Cat. # RP6-6D-2T5-N-...-FRF-...-4'
Frosted Flush Lens
 Initial lamp lumens - 5200



Cat. # RP6-6D-2T8-N-...-FRF-...-4'
Frosted Flush Lens
 Initial lamp lumens - 5600



Cat. # RP6-6D-2T8-N-...-SBB-...-4'
Specular Blade Baffle
 Initial lamp lumens - 5600

