

Type:	Project:	Qty:
	Date:	
Catalog #:		

**Description:**

The Regolo RF4 LED series is a recessed, nominal 4" wide profile, slot unit designed for inaccessible ceilings. The slender design is ideal for corridors, open and private offices, classrooms, lobbies and general purpose rooms.

**Specifications:**

**Construction:** The housing consists of visible extruded aluminum flange rails with formed cold rolled steel back channel and heavy gauge end caps. Steel alignment tabs and white snap-in joinder clips are used for continuous row applications. Standard luminaire is finished textured white. Optional flange colors available.

**Reflector / Driver:** Reflector / driver cover is finished with high reflectance white paint. Optional asymmetric semi-specular aluminum reflector. Standard constant current electronic driver with 0-10V dimming input; dimming range from 100% down to 1%. Universal (UNV) voltage is from 120 - 277V, 50/60 Hz.

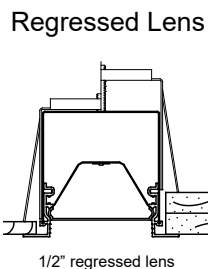
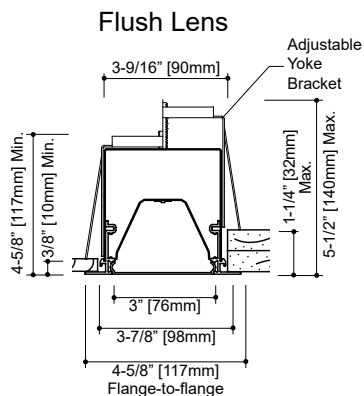
**Shielding:** Extruded frosted or satin white acrylic snap-in lens with DR.

**LED Module:** Distributed LED array in a variety of lumen output packages. LED color is available in 3000K, 3500K or 4000K and in 80CRI or 90CRI. Module is replaceable. L90 ≥ 100,000 hrs.

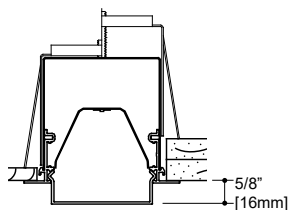
**Mounting:** Inaccessible ceiling types. IC rated. Individual mount or continuous runs.

**Labels:** ETL listed, conforms to UL Standard 1598 / 8750 and CSA Standard C22.2, Damp location.

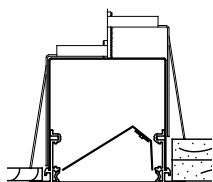
**Warranty:** 5-year limited warranty on LED and Driver.



Drop Lens Option



ASYM Option



**Ordering Information**

Sample: RF4-10L35-UNV-D0-1C-STF-WH-8'-OS

Series	Lumen Package <sup>2</sup> / Color	Voltage	Driver	Circuit	Shielding/Position	Color	Length	Options																
RF4 <sup>1</sup>																								
RF4 (Flange - Nom. 4")	03 (~390 lm/ft, 3.28W/ft)	80CRI	UNV	Dimming (0-10V)	1C Single Circuit	FR (Frosted)	F (Flush lens)	WH (White Flange Standard)	2'															
	05 (~569 lm/ft, 4.85W/ft)	L30								120	1E Single Circuit w/ EM Circuit	ST (Satin white)	R <sup>6</sup> (Regressed lens)	BK (Black Flange)	3'									
	06 (~724 lm/ft, 6.38W/ft)	L35								277	1B <sup>5</sup> Single Circuit w/ Battery Pack	L (Luminous Ends Drop lens)	SV (Silver Flange)	5'	4'									
	09 (~899 lm/ft, 7.79W/ft)	L40	90CRI	Lutron Dimming	CEC CEC Compliant (10W Battery Pack)	D (Opaque Ends Drop lens)	CC (Custom Color)	7'	8'	Continuous Runs <sup>7</sup> XX' Specify run length in 1 foot increments. Consult factory for custom lengths.														
	10 (~1036 lm/ft, 9.39W/ft)	H30									See Page 2 for Ordering Codes	CEC CEC Compliant (10W Battery Pack)	D (Opaque Ends Drop lens)	CC (Custom Color)	7'	8'	Continuous Runs <sup>7</sup> XX' Specify run length in 1 foot increments. Consult factory for custom lengths.							
	Consult Factory for Custom Lumen Package																	H35	DALI Dimming	D (Opaque Ends Drop lens)	CC (Custom Color)	7'	8'	Continuous Runs <sup>7</sup> XX' Specify run length in 1 foot increments. Consult factory for custom lengths.
																		H40						
				ELE (Dim to 1%)	D (Opaque Ends Drop lens)	CC (Custom Color)	7'	8'	Continuous Runs <sup>7</sup> XX' Specify run length in 1 foot increments. Consult factory for custom lengths.															
				eldoLED SOLOdrive						D (Opaque Ends Drop lens)	CC (Custom Color)	7'	8'	Continuous Runs <sup>7</sup> XX' Specify run length in 1 foot increments. Consult factory for custom lengths.										
				ELS (Dim to 0%)	D (Opaque Ends Drop lens)	CC (Custom Color)	7'	8'	Continuous Runs <sup>7</sup> XX' Specify run length in 1 foot increments. Consult factory for custom lengths.															

**Notes:**

- Some products are DesignLights Consortium™ Qualified, refer to [www.designlights.org](http://www.designlights.org) Qualified Products List.
- Nominal lumen output per foot for frosted lens and 3500K.
- Standard driver, don't connect low-voltage wires for non-dimming applications. Consult factory for specifications and manufacturer.
- Consult factory for specifications and manufacturer.
- Battery pack not available in fixtures 3' or less.
- We recommend our Satin White lens for the Regressed position.
- 6" increments are common custom lengths. We can provide custom run length down to the nearest (+/- 1/8").
- Not available with Drop Lens.
- Only available with Frosted Flush Lens.



**Lens Options**

**Shielding**



**Frosted Lens**  
This diffuser is designed for a balance between efficiency and lens uniformity. (Transmission ~ 89%)

**Satin White Lens**  
This diffuser is designed for visible lens uniformity. It's recommended for regressed lens configuration in our shallow housing. (Transmission ~ 69%)

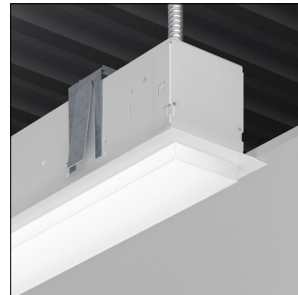
**Position**

**Regressed Lens - "R"**



1/2" Regressed Lens - Satin White lens is recommended (shown in Mud Ring)

**Drop Lens - "L"**



5/8" Drop Lens w/ Luminous Acrylic Ends

**Sensor Option**



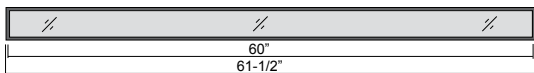
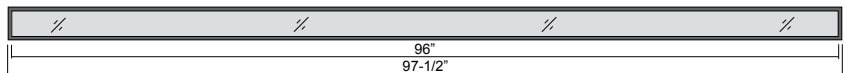
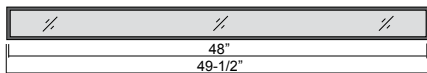
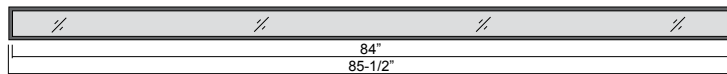
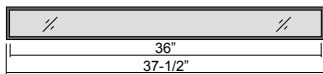
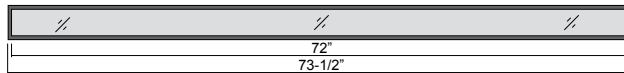
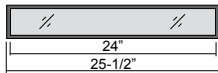
Occupancy and/or Daylight Sensor (Surface Mount Shown)

**Lutron Driver Ordering Codes**

Nulite Code	Lutron Prefix	Lutron Series	Dim Level	Quantity of Wires	Dim to Dark (Smooth)
L11*	PEQ	Hi-Lume™ Premiere	0.1%	2	X
L12	LTEA	Hi-Lume™ 2-Wire 120V forward phase	1%	No Control Wires - Uses Hot	
L15	LDE1	Hi-Lume™ H-Series	1%	2	X
L16	LDE5	Hi-Lume™ 5-Series	5%	2	

\*Maximum lumen package with L11 is 05

**Individual Lengths**



**Continuous Run Lengths**

**Run Length**

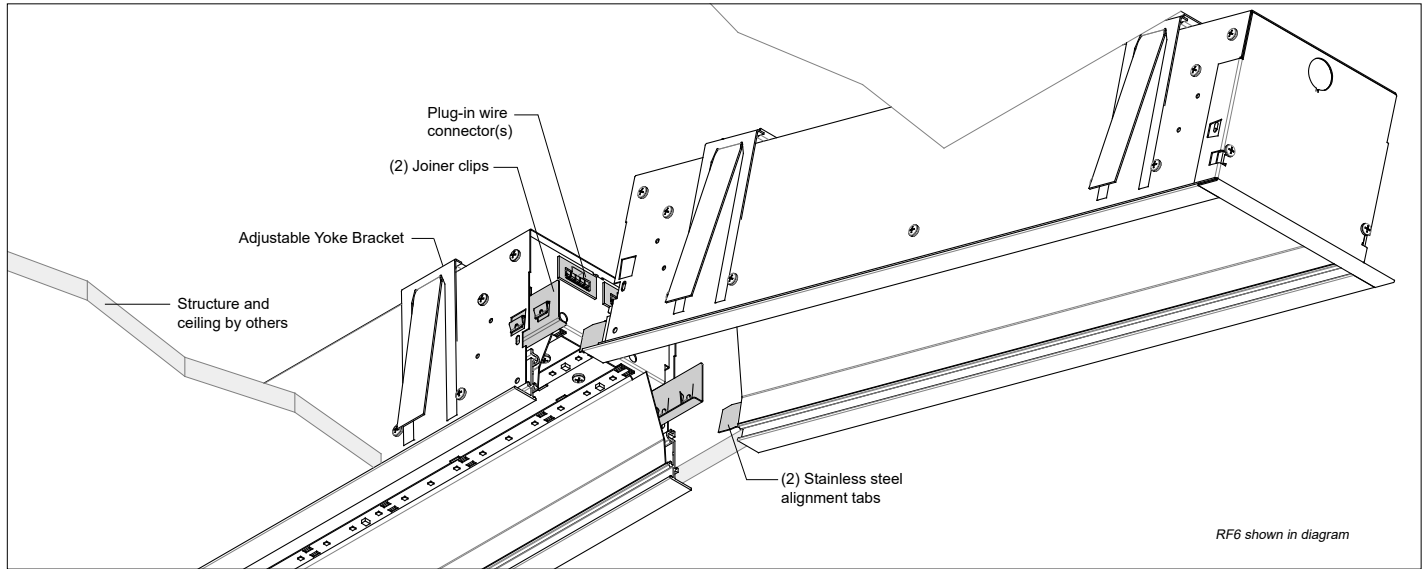
Number of Housings	Run Length																																																	
	2'	3'	4'	5'	6'	7'	8'	9'	10'	11'	12'	13'	14'	15'	16'	17'	18'	19'	20'	21'	22'	23'	24'	25'	26'	27'	28'	29'	30'	31'	32'	33'	34'	35'	36'	37'	38'	39'	40'	41'	42'	43'	44'							
2'	1																																																	
3'		1																																																
4'			1				1	1	1	1						1	1	1	1					1	1	1	1				1	1	1	1							1	1	1	1						
5'				1				1			1							1				1			1						1												1							
6'					1				1			1									1				1						1													1						
7'						1				1			1									1				1					1													1						
8'							1				1	1	1	1	1	2	1	1	1	1	2	2	2	2	3	2	2	2	3	3	3	3	4	3	3	3	3	4	4	4	4	4	5	4	4	4	4	5		

Run length doesn't include overlapping flange.

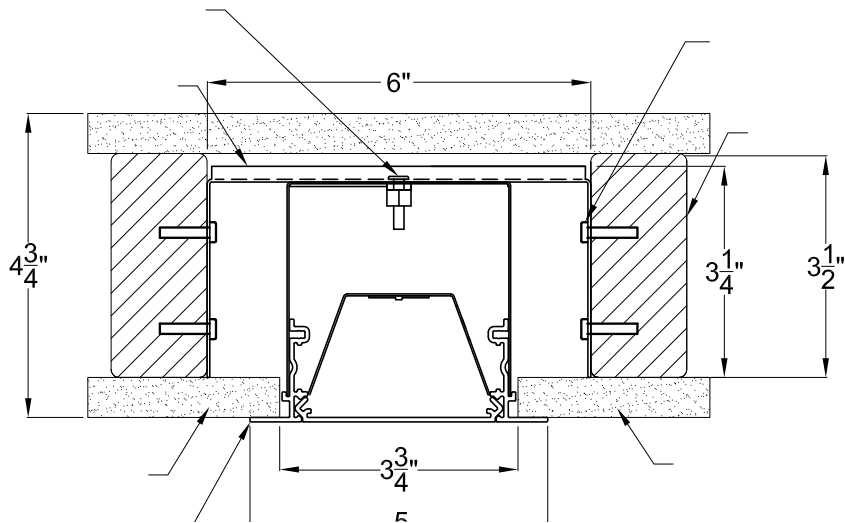
Specifications and dimensions are subject to change without notification.

2019 Rev. E1

Continuous Row Joiner Detail

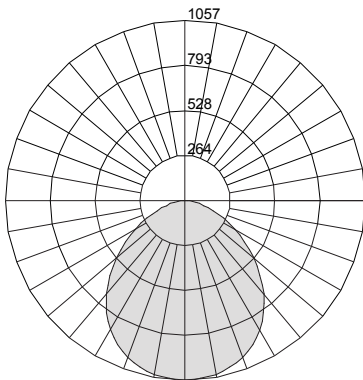


Shallow in Wall Mount

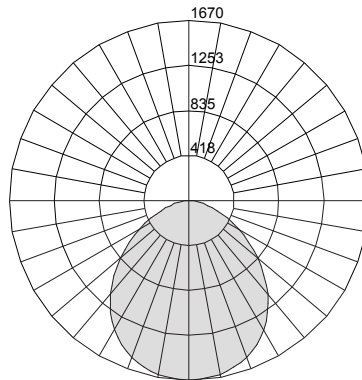


Photometric Curves

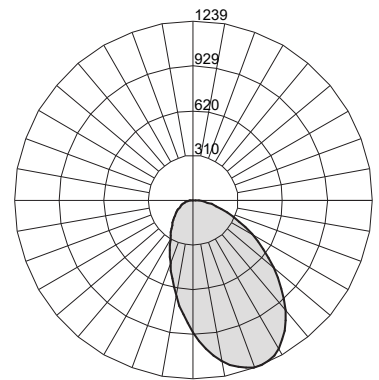
Cat. # RF4-05L35-...-FRF-...-4'  
Frosted Flush Lens  
Wattage/ft - 4.85  
Lumens/Watt - 117



Cat. # RF4-09L35-...-FRF-...-4'  
Frosted Flush Lens  
Wattage/ft - 7.79  
Lumens/Watt - 115



Cat. # RF4-05L40-...-FRF-...-4'-ASYM  
Frosted Flush Lens  
Wattage/ft - 5.25  
Lumens/Watt - 110



Specifications and dimensions are subject to change without notification.

2019 Rev. E1