

**Regolo 4 LED Flange Series**

Type:	Project:	Qty:
	Date:	
Catalog #:		

**Description:**

The Regolo RF4 LED series is a recessed, nominal 4" wide profile, slot unit designed for inaccessible ceilings. The slender design is ideal for corridors, open and private offices, classrooms, lobbies and general purpose rooms.

**Specifications:**

**Construction:** The housing consists of visible extruded aluminum flange rails with formed cold rolled steel back channel and heavy gauge end caps. Steel alignment tabs and white snap-in joiner clips are used for continuous row applications. Standard luminaire is finished textured white. Optional flange colors available.

**Reflector / Driver:** Reflector / driver cover is finished with high reflectance white paint. Optional asymmetric semi-specular aluminum reflector. Standard constant current electronic driver with 0-10V dimming input; dimming range from 100% down to 1%. Universal (UNV) voltage is from 120 - 277V, 50/60 Hz.

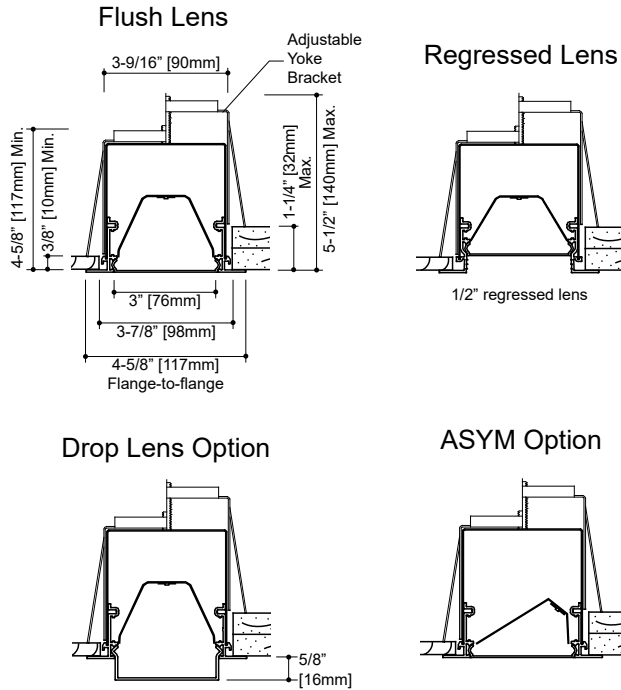
**Shielding:** Extruded frosted or satin white acrylic snap-in lens with DR.

**LED Module:** Distributed LED array in a variety of lumen output packages. LED color is available in 3000K, 3500K or 4000K and in 80CRI or 90CRI. Module is replaceable. L90 ≥ 100,000 hrs.

**Mounting:** Inaccessible ceiling types. IC rated. Individual mount or continuous runs.

**Labels:** ETL listed, conforms to UL Standard 1598 / 8750 and CSA Standard C22.2, Damp location.

**Warranty:** 5-year limited warranty on LED and Driver.



**Ordering Information**

Sample: RF4-10L35-UNV-D0-1C-STF-WH-8'-OS

Series	Lumen Package <sup>2</sup> / Color	Voltage	Driver	Circuit	Shielding/Position	Color	Length	Options					
RF4 <sup>1</sup>													
RF4 (Flange - Nom. 4")	03 (~390 lm/ft, 3.28W/ft)	80CRI	UNV	1C Single Circuit	FR (Frosted)	F (Flush lens)	2'	CP Chicago Plenum SHW Shallow in Wall (see page 3) OS <sup>7</sup> End of run Occupancy Sensor DS <sup>7</sup> End of run Daylight Sensor FLEX <sup>6</sup> of Flex ASYM <sup>8</sup> Asymmetric Reflector GLR Fusing <b>See Accessories for Corners and Downlight Modules</b>					
	05 (~569 lm/ft, 4.85W/ft)	L30							120	1E Single Circuit w/ EM Circuit	ST (Satin white)	R <sup>5</sup> (Regressed lens)	3'
	06 (~724 lm/ft, 6.38W/ft)	L35							277				1B Single Circuit w/ Battery Pack
	09 (~899 lm/ft, 7.79W/ft)	L40	90CRI	D (Opaque Ends Drop lens)	SV (Silver Flange)	5'							
	10 (~1036 lm/ft, 9.39W/ft)	L40	277			CC (Custom Color)	CC (Custom Color)		6'				
		L40	277								7'		
	L40	277				8'	Continuous Runs <sup>6</sup> XX' Specify run length in 1 foot increments. Consult factory for custom lengths.						

**Notes:**

- Some products are DesignLights Consortium™ Qualified, refer to [www.designlights.org](http://www.designlights.org) Qualified Products List.
- Nominal lumen output per foot for frosted lens and 3500K.
- Standard driver, don't connect low-voltage wires for non-dimming applications. Consult factory for specifications and manufacturer.
- Consult factory for specifications and manufacturer.
- We recommend our Satin White lens for the Regressed position.
- 6" increments are common custom lengths. We can provide custom run length down to the nearest (+/- 1/8").
- Not available with Drop Lenses.
- Only available with Frosted Flush Lenses.



Specifications and dimensions are subject to change without notification. Specification sheets on our website supersede all other versions. 2017 Rev. D1 Nulite reserves the right to bulk package any order.

**Lens Options**

**Shielding**



**Frosted Lens**  
This diffuser is designed for a balance between efficiency and lens uniformity. (Transmission ~ 89%)

**Satin White Lens**  
This diffuser is designed for visible lens uniformity. It's recommended for regressed lens configuration in our shallow housing. (Transmission ~ 69%)

**Lutron Driver Ordering Codes**

Nulite Code	Lutron Prefix	Lutron Series	Dim Level	Control Type	
				3-Wire	Eco-System™
L11	L3DAE	Hi-lume™	1%		Yes
L12	L3DA3W	Hi-lume™	1%	Yes	
L15	LDE1*	Hi-lume™ - H Series	1%		Yes
L16	LDE5	5-Series	5%		Yes

\* Soft-on, Fade-to-Black™

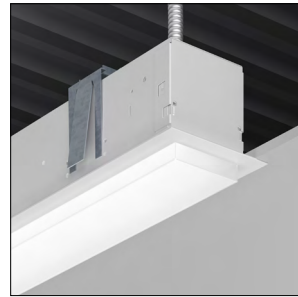
**Position**

**Regressed Lens - "R"**



1/2" Regressed Lens - Satin White lens is recommended (shown in Mud Ring)

**Drop Lens - "L"**



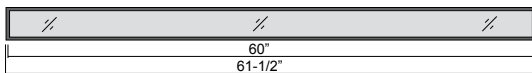
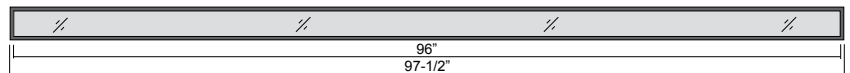
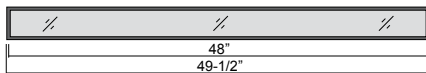
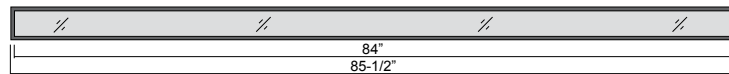
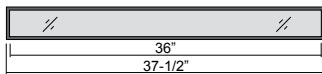
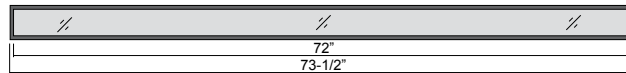
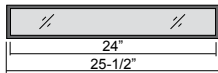
5/8" Drop Lens w/ Luminous Acrylic Ends

**Sensor Option**



Occupancy and/or Daylight Sensor (Surface Mount Shown)

**Individual Lengths**



**Continuous Run Lengths**

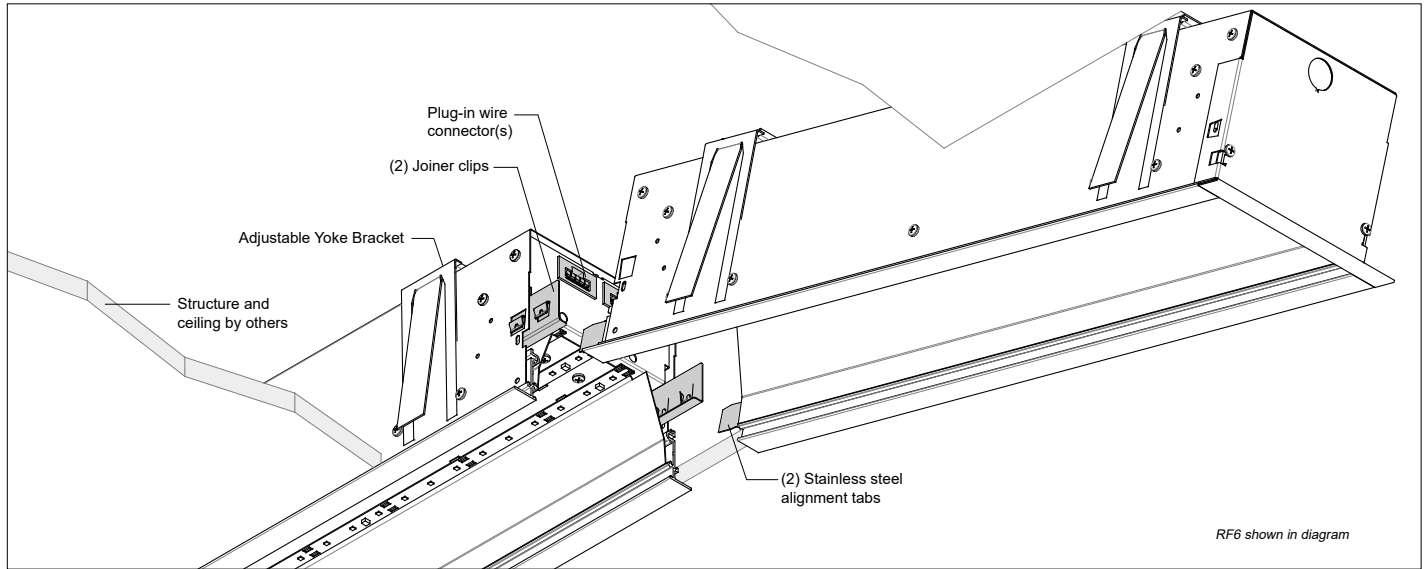
**Run Length**

Number of Housings	Run Length																																																				
	2'	3'	4'	5'	6'	7'	8'	9'	10'	11'	12'	13'	14'	15'	16'	17'	18'	19'	20'	21'	22'	23'	24'	25'	26'	27'	28'	29'	30'	31'	32'	33'	34'	35'	36'	37'	38'	39'	40'	41'	42'	43'	44'										
2'	1																																																				
3'		1																																																			
4'			1				1	1	1	1						1	1	1	1					1	1	1	1																	1	1	1	1						
5'				1				1			1								1					1																													
6'					1				1			1						1						1																													
7'						1				1			1					1						1																													
8'							1				1	1	1	1	1	2	1	1	1	1	2	2	2	2	3	2	2	2	3	3	3	3	4	3	3	3	3	4	4	4	4	4	5	4	4	4	4	5					

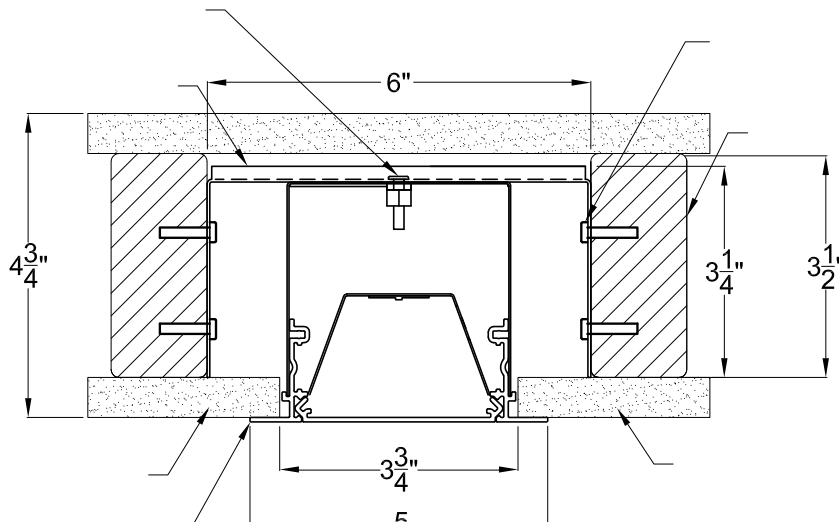
Run length doesn't include overlapping flange.

Specifications and dimensions are subject to change without notification.

Continuous Row Joiner Detail

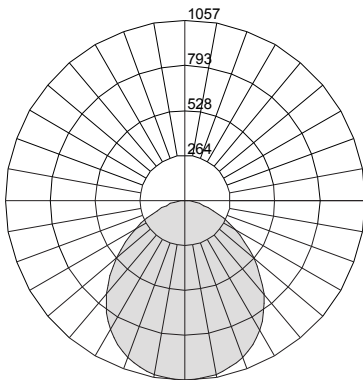


Shallow in Wall Mount

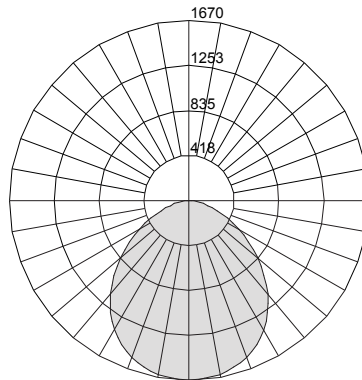


Photometric Curves

Cat. # RF4-05L35-...-FRF-...-4'  
 Frosted Flush Lens  
 Wattage/ft - 4.85  
 Lumens/Watt - 117



Cat. # RF4-09L35-...-FRF-...-4'  
 Frosted Flush Lens  
 Wattage/ft - 7.79  
 Lumens/Watt - 115



Cat. # RF4-05L40-...-FRF-...-4'-ASYM  
 Frosted Flush Lens  
 Wattage/ft - 5.25  
 Lumens/Watt - 110

