

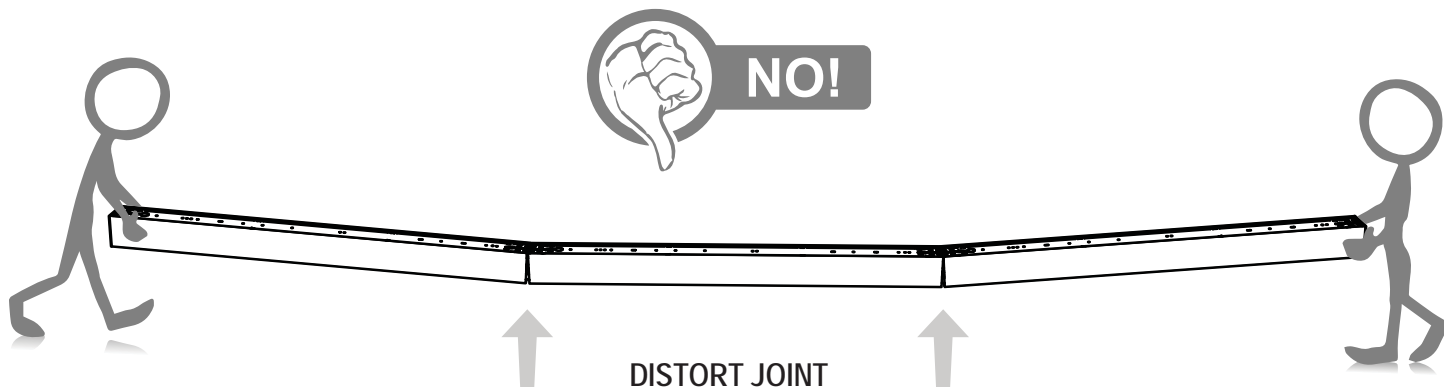


REGOLO GENERAL WARNING

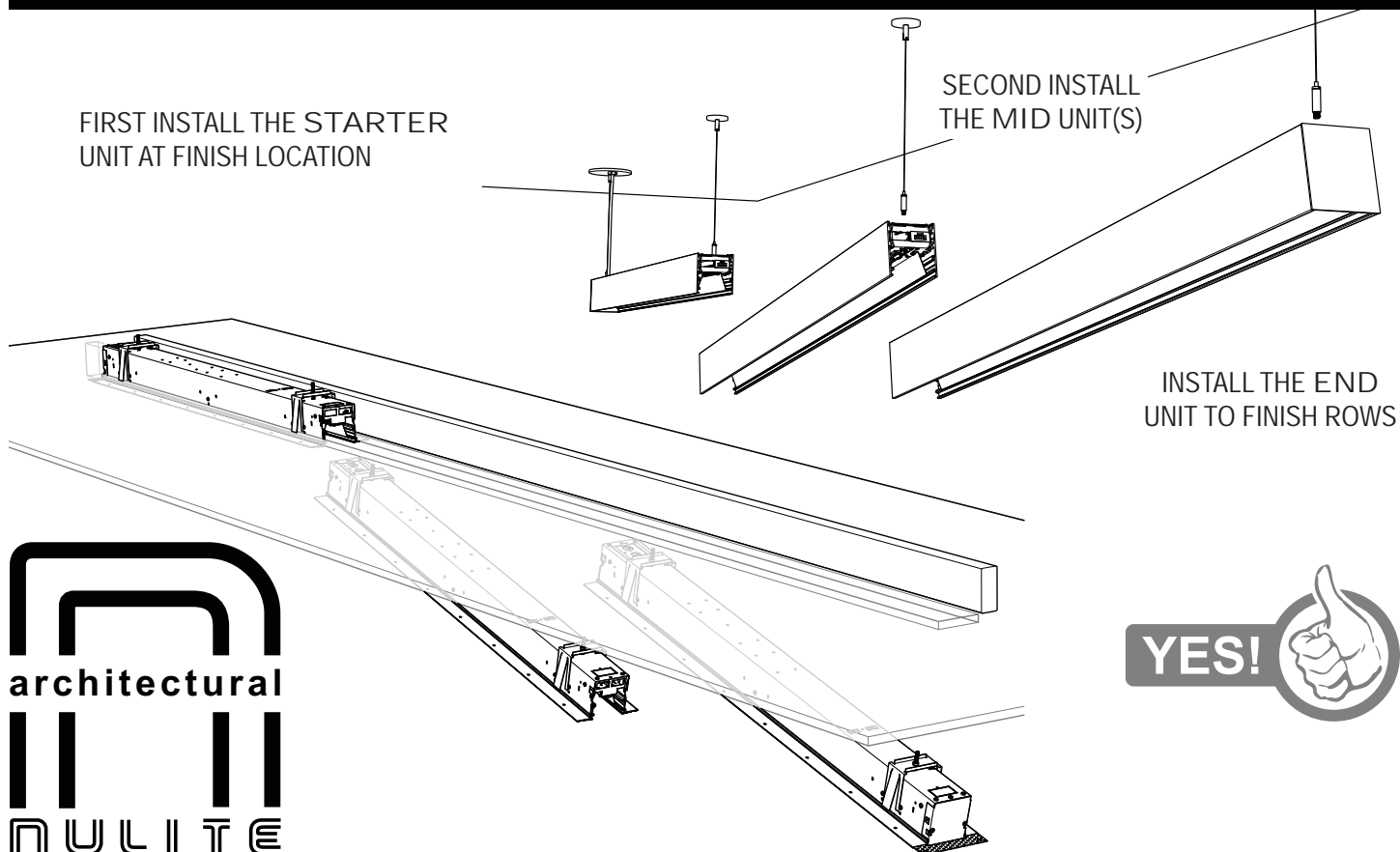


WARNING:

DO NOT ASSEMBLE CONTINUOUS RUN ON THE GROUND AND LIFT INTO PLACE.
JOINTS WILL DISTORT AND NOT CREATE A TIGHT FIT.
JOINING HARDWARE WILL HAVE TO BE PURCHASED AND REPLACED.



FOR PROPER INSTALL INFORMATION SEE
RESPECTIVE SERIES INSTALLATION INSTRUCTIONS.

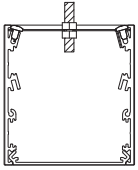


10770 East 51st Ave, Denver, CO 80239 - Phone (303)287-9646 Fax (303)287-0316

Instructions and dimensions are subject to change without notification. Instruction sheets on our website supersede all other versions.

2016 Rev. A

TRIMLESS - INSTALLATION and MAINTENANCE INSTRUCTIONS REGOLO Series (2, 3, 4, 6, 8)



REGOLO TRIMLESS- INACCESSABLE CEILING

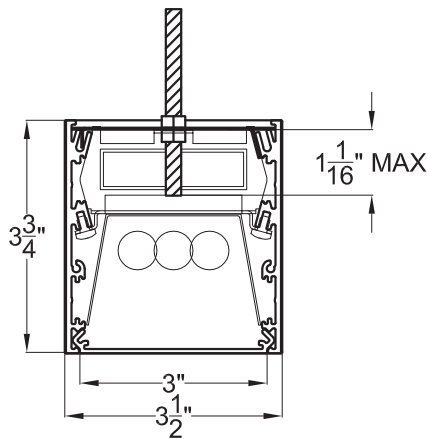
(RT4 MODELS SHOWN)

APPLIES TO - **INACCESSABLE CEILING (METAL PAN CEILINGS, MILLWORK, AND SHEET ROCK WITH MUD TRIM, SUPPLIED BY OTHERS.)**

WARNINGS
 RISK OF ELECTRICAL SHOCK OR FIRE - DISCONNECT POWER DURING INSTALLATION / SERVICING.
 READ ALL INSTRUCTIONS COMPLETELY BEFORE STARTING INSTALLATION.
 INSTALL & WIRE IN ACCORDANCE TO ALL NATIONAL & LOCAL CODES BY A CERTIFIED ELECTRICIAN.
 FIXTURE MAY BE SHARP - HANDLE WITH CARE.
 LET FIXTURE COOL BEFORE MAINTENANCE.

FIXTURE INSTALLATION

GENERAL CONSTRUCTION, JOINING, AND WIRING OF REGOLO TRIMLESS SERIES IS THE SAME AS REGOLO PENDANT SERIES. REFER TO PENDANT STAND ALONE AND ROW MOUNTED INSTRUCTIONS FOR ADDITIONAL INFORMATION. THIS SHEET DETAILS REGOLO TRIMLESS MOUNTING ONLY.

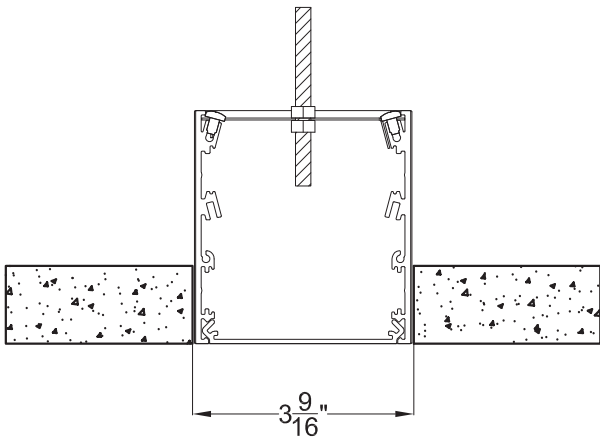
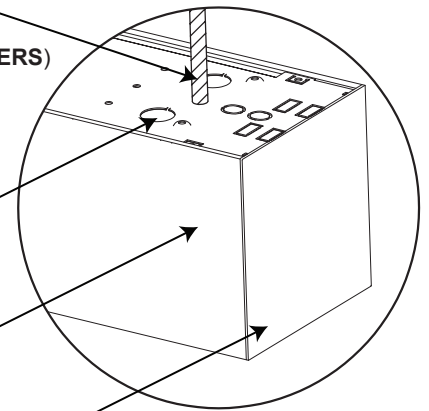


1/4"-20 THREADED ROD AND MOUNTING HARDWARE (PROVIDED AND INSTALLED BY OTHERS)

1/2" TRADE K.O. (LOCATION VARIES BASED ON FIXTURE WIDTH)

LUMINAIRE HOUSING

REMOVABLE ENDCAP



STEP 1: LAYOUT

1. Layout fixture and threaded rod locations.
2. layout and install junction box and electrical whip below ceiling level.
3. Install 1/4"-20 rod (by others) to structure per National/Local building codes.
4. Install ceiling material.
5. Cut out fixture rough in

STEP 2: INSTALLATION

1. Remove lens and ballast/driver cover from fixture. Set aside. (Refer to pendant mount instructions)
2. Install luminaire using 1/4"-20 threaded rod and hardware (by others).
3. Make electrical connection according to all National and local codes.
4. Reinstall ballast/driver cover and lens.

