



Type:	Project:	Qty:
	Date:	
Catalog #:		

Description:

These LED corners and intersections are illuminated slot accessories for our nominal 4" Regolo Series.

Specifications:

Construction: The housing consists of visible extruded aluminum trim rails with formed cold rolled steel back channel. Steel alignment tabs and white joiner clips are used for most continuous row applications. Luminaire is finished textured white. Optional colors are available.

Reflector / Driver: Reflector / driver cover is finished with high reflectance white paint. Standard constant current electronic driver with 0-10V dimming input; dimming range from 100% down to 10%. Universal (UNV) voltage is from 120 - 277V, 50/60 Hz.

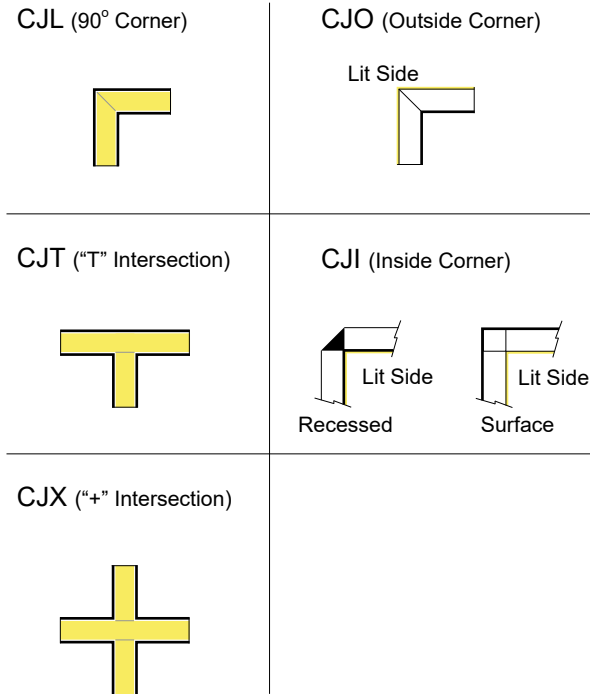
Shielding: Extruded frosted acrylic or satin white acrylic snap-in lens with DR. Available in flush, regressed or drop lens positions depending on product configuration.

LED Module: Distributed LED array in a variety of lumen output packages. LED color is available in (L30) 3000K, (L35) 3500K or (L40) 4000K. Module is replaceable. L90 ≥ 100,000 hours.

Mounting: Grid, Flange, Mud Ring, Pendant, Surface and Trimless styles.

Labels: ETL listed, conforms to UL Standard 1598 / 8750 and CSA Standard C22.2, Damp location.

Warranty: 5-year limited warranty on LED and Driver.



Ordering Information

Sample: RF4-CJL-06L35-UNV-D1-1C-FRR-WH

Series	Corner	Lumen Package ² / Color	Voltage	Driver	Circuit	Shielding / Position	Color	Options
RG4 (Grid)	CJL	03 (~390 lm/ft, 3.28W/ft) L30	UNV	Dimming (0-10V) D ³ (Dim to 10%) D ¹ ⁴ (Dim to 1%) D ⁰ ⁴ (Dim to 0%)	1C Single Circuit	FR (Frosted) ST (Satin white)	WH ⁸ (White Standard) BK (Black) SV (Silver) CC (Custom Color)	CP Chicago Plenum
RF4 (Flange)	CJT	05 (~569 lm/ft, 4.85W/ft) L35	120		1E ⁵ Single Circuit w/ EM Circuit			
RM4 (Mud Ring)	CJX	06 (~724 lm/ft, 6.38W/ft) L40	277	Lutron Dimming See Page 2 for Ordering Codes DALI Dimming eldoLED ECOdrive ELE (Dim to 1%) eldoLED SOLOdrive ELS (Dim to 0%)	1B ⁶ Single Circuit w/ Battery Circuit	D (Opaque Ends Drop lens) L (Luminous Ends Drop lens)		
RP4 (Pendant)	CJO ¹	09 (~899 lm/ft, 7.79W/ft)						
RR4 (Surface)	CJI ¹	10 (~1036 lm/ft, 9.39W/ft) Consult Factory for Custom Lumen Package						
RT4 (Trimless)								

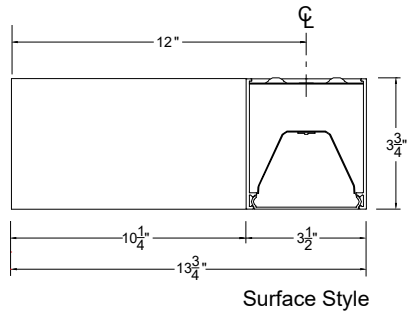
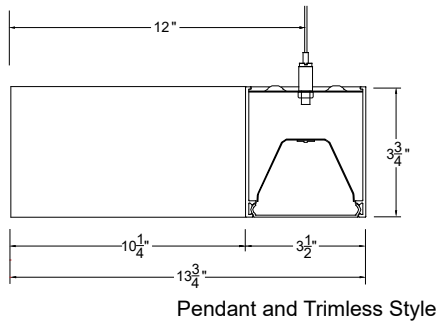
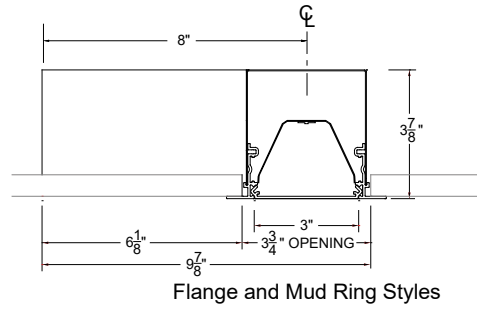
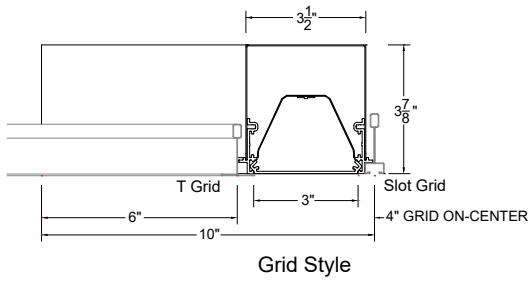
Notes:

1. May specify two Series Types (ie. RG4/RM4-CJI-05L35-UNV...). Consult factory before ordering.
2. Nominal lumen output per foot for frosted lens.
3. Standard driver, don't connect low-voltage wires for non-dimming applications. Consult factory for specifications and manufacturer.
4. Consult factory for specifications and manufacturer.
5. Emergency circuit through wiring.
6. Battery not available in corner. Order "1B" if batteries are being used in connected linear runs.
7. Regressed lens not available for Pendant, Surface and Trimless.
8. White only for grid and mud ring.

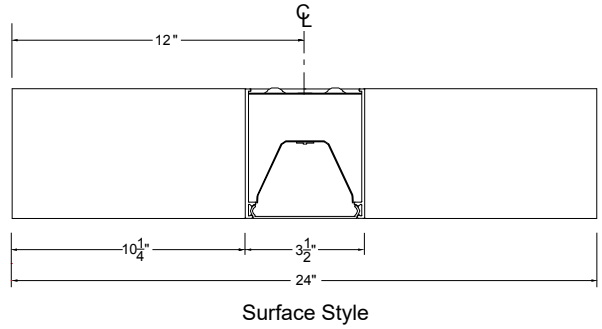
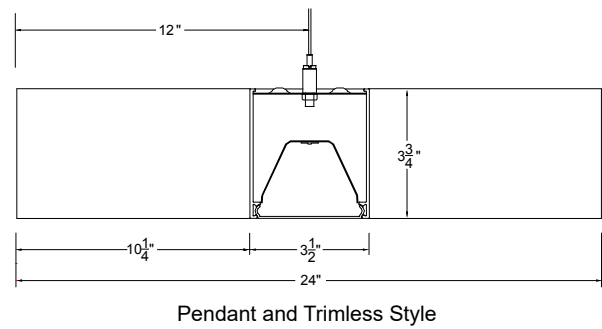
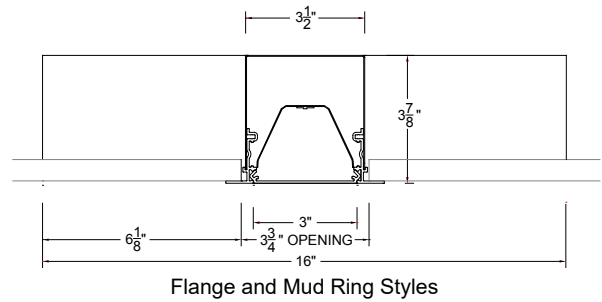
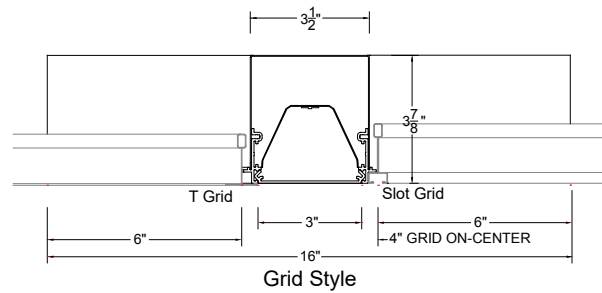


Specifications and dimensions are subject to change without notification. Specification sheets on our website supersede all other versions. 2016 Rev. A3 Nulite reserves the right to bulk package any order.

CJL

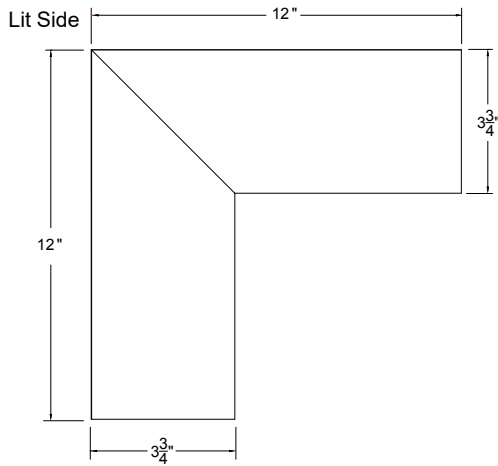


CJT and CJX

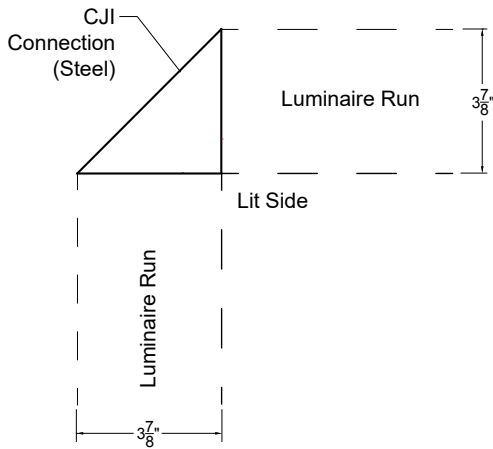


Specifications and dimensions are subject to change without notification.

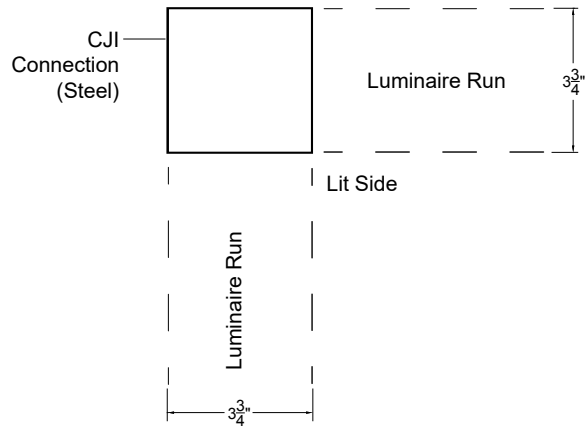
CJO (Outside)



CJI (Inside)



Recessed Styles



Surface and Trimless Style

Specifications and dimensions are subject to change without notification.