

Type:	Project:	Qty:
	Date:	
Catalog #:		

Description:

These LED corners and intersections are illuminated slot accessories for our nominal 4" Regolo Series.

Specifications:

Construction: The housing consists of visible extruded aluminum trim rails with formed cold rolled steel back channel. Steel alignment tabs and white joiner clips are used for most continuous row applications. Luminaire is finished textured white. Optional colors are available.

Reflector / Driver: Reflector / driver cover is finished with high reflectance white paint. Standard constant current electronic driver with 0-10V dimming input; dimming range from 100% down to 1%. Universal (UNV) voltage is from 120 - 277V, 50/60 Hz.

Shielding: Extruded frosted acrylic or satin white acrylic snap-in lens with DR. Available in flush, regressed or drop lens positions depending on product configuration.

LED Module: Distributed LED array in a variety of lumen output packages. LED color is available in 3000K, 3500K or 4000K and in 80CRI or 90CRI. Module is replaceable. L90 ≥ 100,000 hrs.

Mounting: Grid, Flange, Mud Ring, Pendant, Surface and Trimless styles.

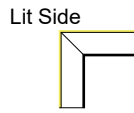
Labels: ETL listed, conforms to UL Standard 1598 / 8750 and CSA Standard C22.2, Damp location.

Warranty: 5-year limited warranty on LED and Driver.

CJL (90° Corner)



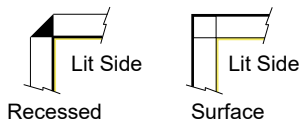
CJO (Outside Corner)



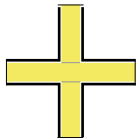
CJT ("T" Intersection)



CJI (Inside Corner)



CJX ("+" Intersection)



Ordering Information

Sample: RF4-CJL-06L35-UNV-D1-1C-FRR-WH

Series	Corner	Lumen Package ³ / Color	Voltage	Driver	Circuit	Shielding / Position	Color	Options
RG4 (Grid)	CJL	03 (~390 lm/ft, 3.28W/ft) 80CRI	UNV	Dimming (0-10V)	1C Single Circuit	FR (Frosted)	WH ⁹ (White Standard)	CP Chicago Plenum
RF4 (Flange)	CJT	05 (~569 lm/ft, 4.85W/ft) L30	120	D ⁴ (Dim to 1%)	1E ⁶ Single Circuit w/ EM Circuit	ST (Satin white)	BK (Black)	ASYM ¹⁰ Asymmetric Reflector Direct
	CJX	06 (~724 lm/ft, 6.38W/ft) L35	277	D0 ⁵ (Dim to 1%, fade to off)	1B ⁷ Single Circuit w/ Battery Circuit		SV (Silver)	
RM4 (Mud Ring)	CJO ²	09 (~899 lm/ft, 7.79W/ft) 90CRI		D02 ⁵ (Dim to 0%)	CEC		CC (Custom Color)	
RP4 (Pendant)	CJI ²	10 (~1036 lm/ft, 9.39W/ft) Consult Factory for Custom Lumen Package		Lutron Dimming	CEC Compliant (10W Battery Pack)			
RR4 (Surface)				See Page 3 for Ordering Codes				
RT4 (Trimless)				DALI Dimming				
RW4 ¹ (Wall)				eldoLED ECOdrive				
				ELE (Dim to 1%)				
				eldoLED SOLOdrive				
				ELS (Dim to 0%)				

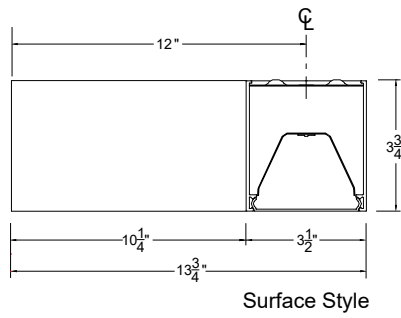
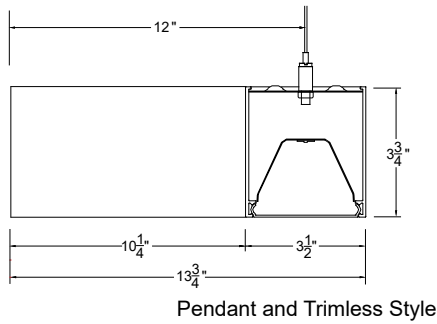
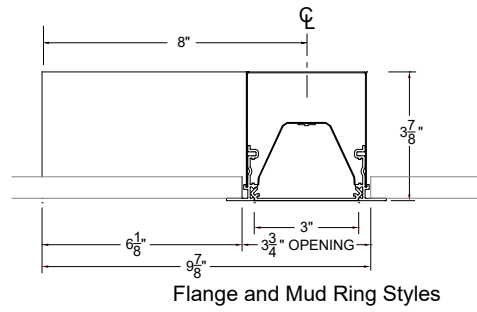
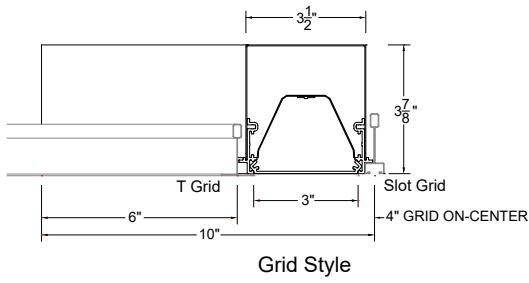
Notes:

1. Only available in CJL
2. May specify two Series Types (ie. RG4/RM4-CJI-05L35-UNV...). Consult factory before ordering.
3. Nominal lumen output per foot for frosted lens.
4. Standard driver, don't connect low-voltage wires for non-dimming applications. Consult factory for specifications and manufacturer.
5. Consult factory for specifications and manufacturer.
6. Emergency circuit through wiring.
7. Battery not available in corner. Order "1B" if batteries are being used in connected linear runs.
8. Regressed lens not available for Pendant, Surface and Trimless.
9. White only for grid and mud ring.
10. ASYM only available in Frosted Flush lens

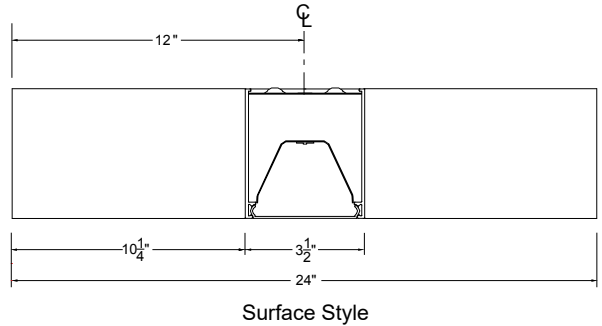
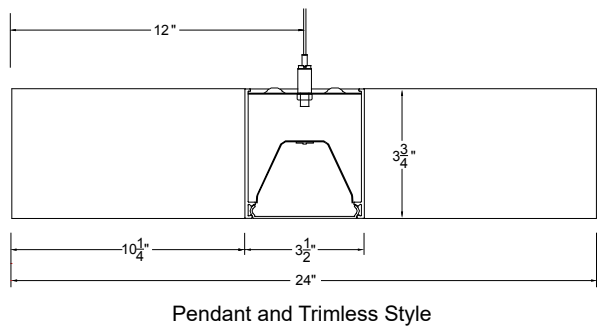
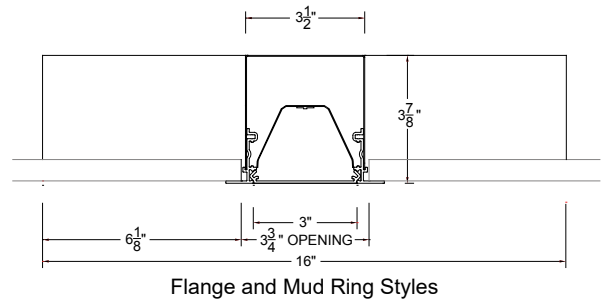
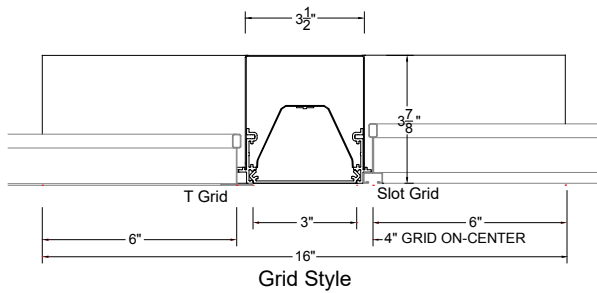
Specifications and dimensions are subject to change without notification. Specification sheets on our website supersede all other versions. 2019 Rev. E1 Nulite reserves the right to bulk package any order.



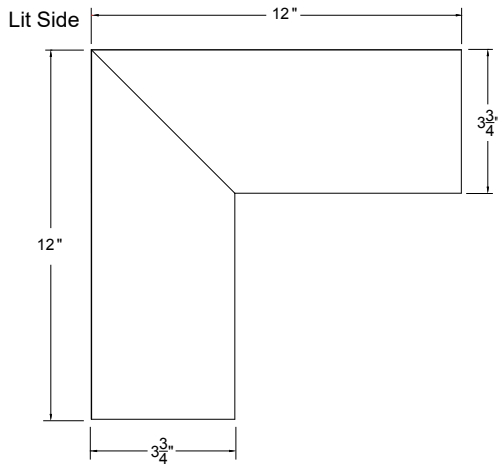
CJL



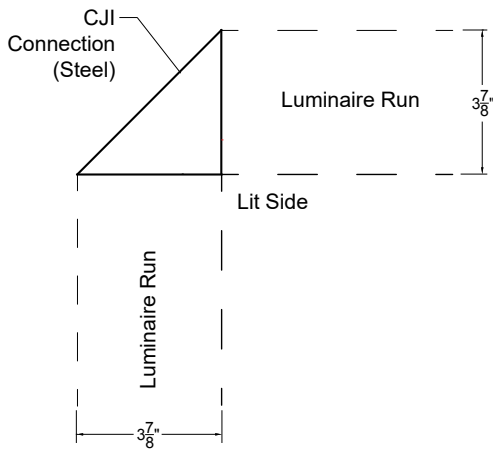
CJT and CJX



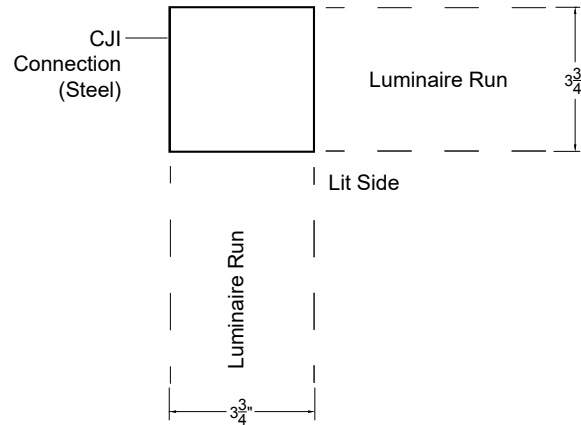
CJO (Outside)



CJI (Inside)



Recessed Styles



Surface and Trimless Style

Lutron Driver Ordering Codes

Nulite Code	Lutron Prefix	Lutron Series	Dim Level	Quantity of Wires	Dim to Dark (Smooth)
L11*	PEQ	Hi-Lume™ Premiere	0.1%	2	X
L12	LTEA	Hi-Lume™ 2-Wire 120V forward phase	1%	No Control Wires - Uses Hot	
L15	LDE1	Hi-Lume™ H-Series	1%	2	X
L16	LDE5	Hi-Lume™ 5-Series	5%	2	

*Maximum lumen package with L11 is 05