

Type:	Project:	Qty:
	Date:	
Catalog #:		

Description:

These LED corners and intersections are illuminated slot accessories for our nominal 2" Regolo Series.

Specifications:

Construction: The housing consists of visible extruded aluminum trim rails with formed cold rolled steel back channel. Steel alignment tabs and white joiner clips are used for most continuous row applications. Luminaire is finished textured white. Optional colors are available.

Reflector / Driver: Reflector / driver cover is finished with high reflectance white paint. Standard constant current electronic driver with 0-10V dimming input; dimming range from 100% down to 1%. Universal (UNV) voltage is from 120 - 277V, 50/60 Hz.

Shielding: Extruded frosted acrylic or satin white acrylic snap-in lens with DR. Available in flush, regressed or drop lens positions depending on product configuration.

LED Module: Distributed LED array in a variety of lumen output packages. LED color is available in 3000K, 3500K or 4000K and in 80CRI or 90CRI. Module is replaceable. L90 ≥ 100,000 hrs.

Mounting: Grid, Flange, Mud Ring, Pendant, Surface and Trimless styles.

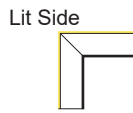
Labels: ETL listed, conforms to UL Standard 1598 / 8750 and CSA Standard C22.2, Damp location.

Warranty: 5-year limited warranty on LED and Driver.

CJL (90° Corner)



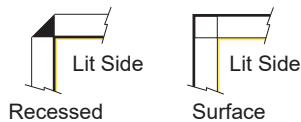
CJO (Outside Corner)



CJT ("T" Intersection)



CJI (Inside Corner)



CJX ("+" Intersection)



Ordering Information

Sample: RF2-CJL-06L35-UNV-D-1C-FRR-WH

Series	Corner	Lumen Package ³ / Color	Voltage	Driver	Circuit	Shielding / Position	Color ⁵	Options
RG2 (Grid)	CJL	03 (~393 lm/ft, 3.28W/ft) 80CRI	UNV	Dimming (0-10V)	1C Single Circuit	FR (Frosted)	WH ⁹ (White Standard)	CP Chicago Plenum
RF2 (Flange)	CJT	05 (~573 lm/ft, 4.85W/ft) L30	120	D ⁴ (Dim to 1%)	1E ⁶ Single Circuit w/ EM Circuit	ST (Satin white)	BK (Black)	
	CJX	06 (~732 lm/ft, 6.38W/ft) L35	277	D0 ⁵ (Dim to 0%)	1B ⁷ Single Circuit w/ Battery Circuit		R ⁸ (Regressed lens)	
RM2 (Mud Ring)	CJO ²	09 (~886 lm/ft, 7.79W/ft) 90CRI		Lutron Dimming		D (Opaque Ends Drop lens)	SV (Silver)	
RP2 (Pendant)	CJI ²	Consult Factory for Custom Lumen Package		See Page 2 for Ordering Codes		L (Luminous Ends Drop lens)	CC (Custom Color)	
RR2 (Surface)				DALI Dimming				
RT2 (Trimless)				eldoLED ECODrive				
				ELE (Dim to 1%)				
				eldoLED SOLOdrive				
				ELS (Dim to 0%)				

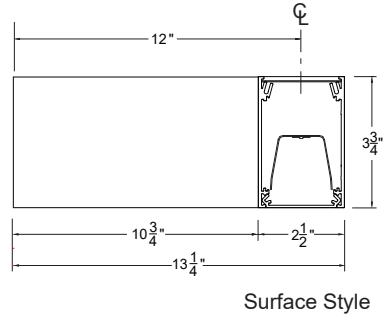
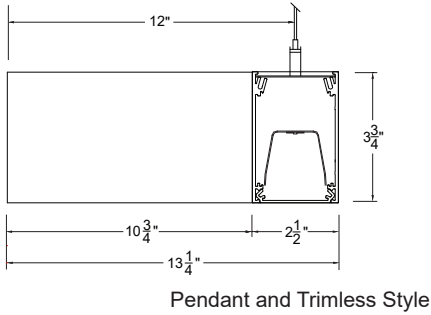
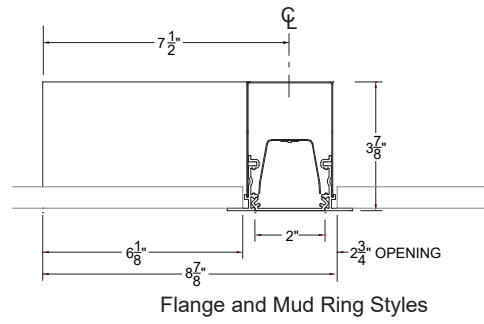
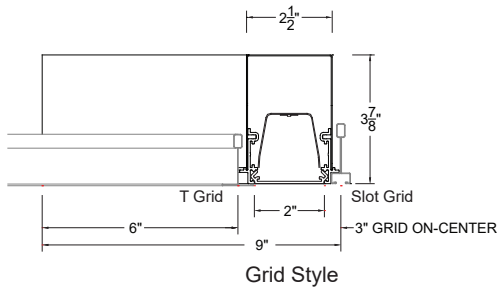
Notes:

1. Only available in CJL.
2. May specify two Series Types (ie. RG2/RM2-CJI-05L35-UNV...). Consult factory before ordering.
3. Nominal lumen output per foot for frosted lens.
4. Standard driver, don't connect low-voltage wires for non-dimming applications. Consult factory for specifications and manufacturer.
5. Consult factory for specifications and manufacturer.
6. Emergency circuit through wiring.
7. Battery not available in corners. Order "1B" if batteries are being used in connected linear runs.
8. Regressed lens not available for Pendant, Surface and Trimless.
9. White only for grid and mud ring.

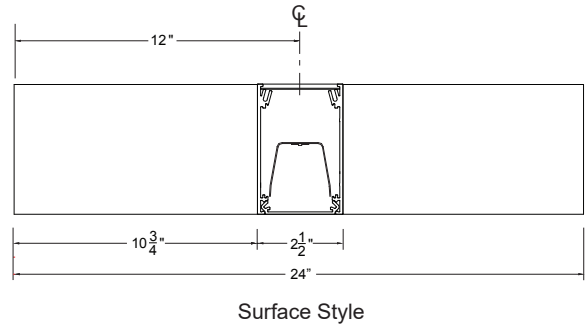
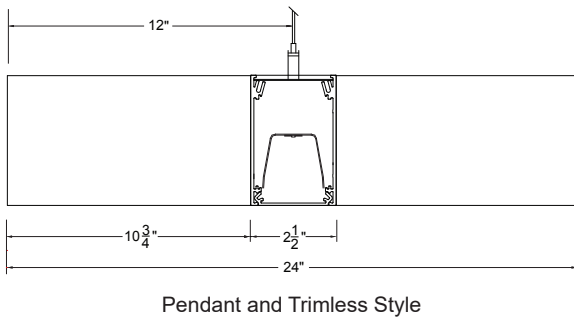
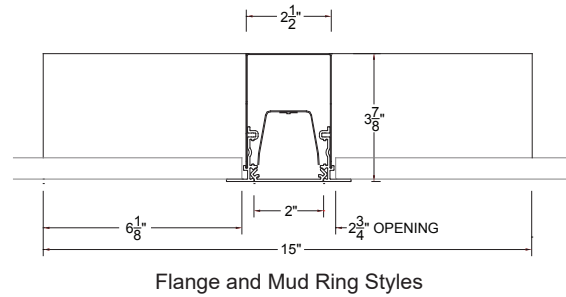
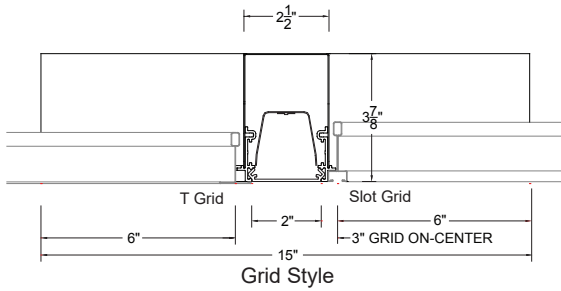
Specifications and dimensions are subject to change without notification. Specification sheets on our website supersede all other versions. Nulite reserves the right to bulk package any order.



CJL

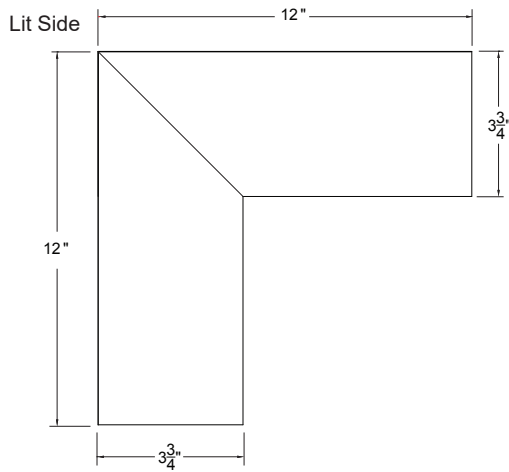


CJT and CJX

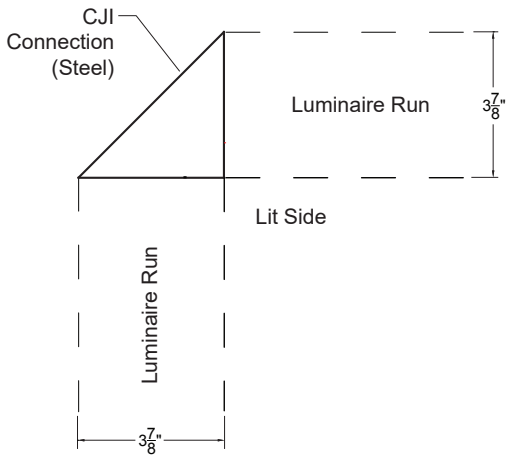


Specifications and dimensions are subject to change without notification.

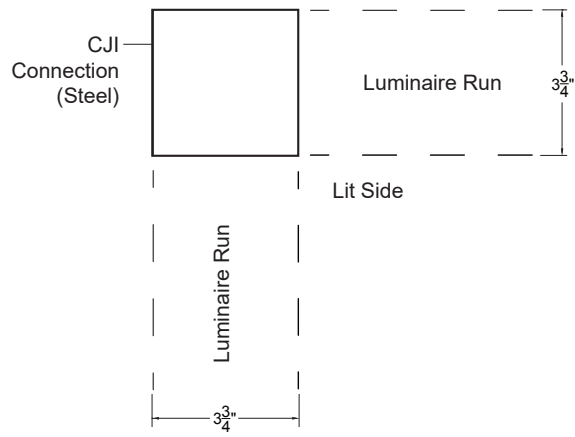
CJO (Outside)



CJI (Inside)



Recessed Styles



Pendant, Surface and Trimless Style

Specifications and dimensions are subject to change without notification.