

| | | |
|------------|----------|------|
| Type: | Project: | Qty: |
| | Date: | |
| Catalog #: | | |

Description:

These LED corners and intersections are illuminated slot accessories for our nominal 2" Regolo Series.

Specifications:

Construction: The housing consists of visible extruded aluminum trim rails with formed cold rolled steel back channel. Steel alignment tabs and white joiner clips are used for most continuous row applications. Luminaire is finished textured white. Optional colors are available.

Reflector / Driver: Reflector / driver cover is finished with high reflectance white paint. Standard constant current electronic driver with 0-10V dimming input; dimming range from 100% down to 1%. Universal (UNV) voltage is from 120 - 277V, 50/60 Hz.

Shielding: Extruded frosted acrylic or satin white acrylic snap-in lens with DR. Available in flush, regressed or drop lens positions depending on product configuration.

LED Module: Distributed LED array in a variety of lumen output packages. LED color is available in 3000K, 3500K or 4000K and in 80CRI or 90CRI. Module is replaceable. L90 ≥ 100,000 hrs.

Mounting: Grid, Flange, Mud Ring, Pendant, Surface and Trimless styles.

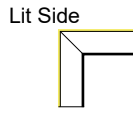
Labels: ETL listed, conforms to UL Standard 1598 / 8750 and CSA Standard C22.2, Damp location.

Warranty: 5-year limited warranty on LED and Driver.

CJL (90° Corner)



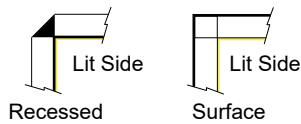
CJO (Outside Corner)



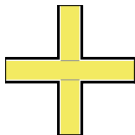
CJT ("T" Intersection)



CJI (Inside Corner)



CJX ("+" Intersection)



Ordering Information

Sample: RF2-CJL-06L35-UNV-D-1C-FRR-WH

| Series | Corner | Lumen Package ³ / Color | Voltage | Driver | Circuit | Shielding / Position | Color | Options |
|-------------------------|------------------|---|---------|--|---|----------------------|----------------------------------|-------------------|
| RG2 (Grid) | CJL | 03 (~393 lm/ft, 3.28W/ft) 80CRI | UNV | Dimming (0-10V) | 1C Single Circuit | FR (Frosted) | WH ⁹ (White Standard) | CP Chicago Plenum |
| RF2 (Flange) | CJT | 05 (~573 lm/ft, 4.85W/ft) L30 | 120 | D ⁴ (Dim to 1%) | 1E ⁶ Single Circuit w/ EM Circuit | ST (Satin white) | BK (Black) | |
| | CJX | 06 (~732 lm/ft, 6.38W/ft) L35 | 277 | DO ⁵ (Dim to 1%, fade to off) | 1B ⁷ Single Circuit w/ Battery Circuit | | SV (Silver) | |
| RM2 (Mud Ring) | CJO ² | 09 (~886 lm/ft, 7.79W/ft) 90CRI | | D02 ⁵ (Dim to 0%) | | | CC (Custom Color) | |
| RP2 (Pendant) | CJI ² | Consult Factory for Custom Lumen Package | | Lutron Dimming | | | | |
| RR2 (Surface) | | H30 | | See Page 3 for Ordering Codes | | | | |
| RT2 (Trimless) | | H35 | | DALI Dimming | | | | |
| RW2 ¹ (Wall) | | H40 | | eldoLED ECOdrive ELE (Dim to 1%) | | | | |
| | | | | eldoLED SOLOdrive ELS (Dim to 0%) | | | | |

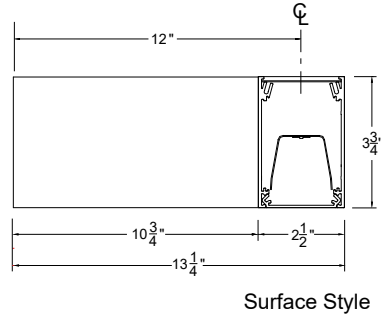
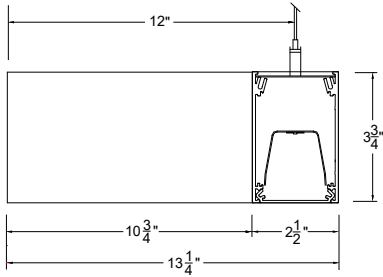
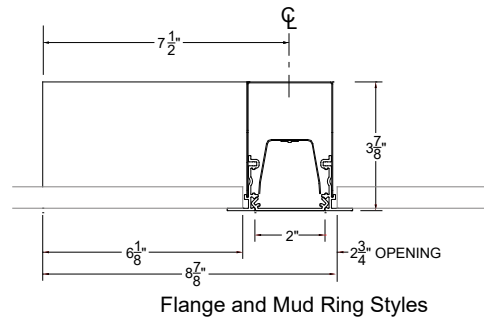
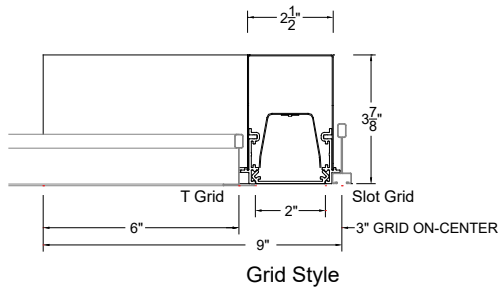
Notes:

1. Only available in CJL
2. May specify two Series Types (ie. RG2/RM2-CJI-05L35-UNV...). Consult factory before ordering.
3. Nominal lumen output per foot for frosted lens.
4. Standard driver, don't connect low-voltage wires for non-dimming applications. Consult factory for specifications and manufacturer.
5. Consult factory for specifications and manufacturer.
6. Emergency circuit through wiring.
7. Battery not available in corners. Order "1B" if batteries are being used in connected linear runs.
8. Regressed lens not available for Pendant, Surface and Trimless.
9. White only for grid and mud ring.

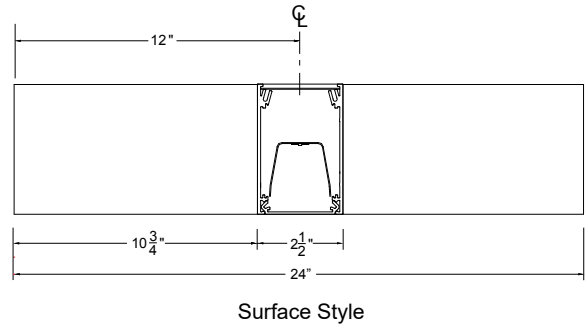
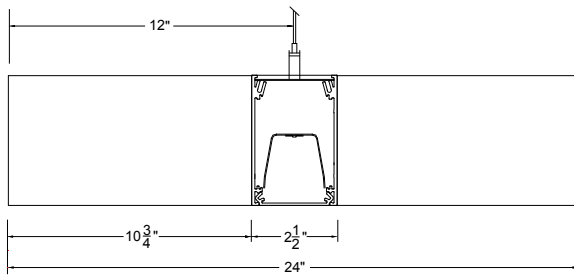
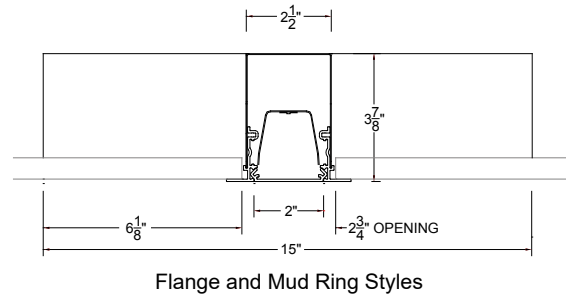
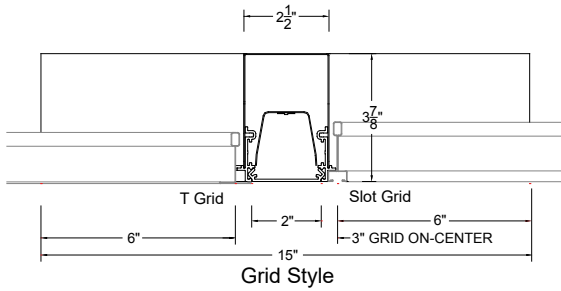
Specifications and dimensions are subject to change without notification. Specification sheets on our website supersede all other versions. Nulite reserves the right to bulk package any order.



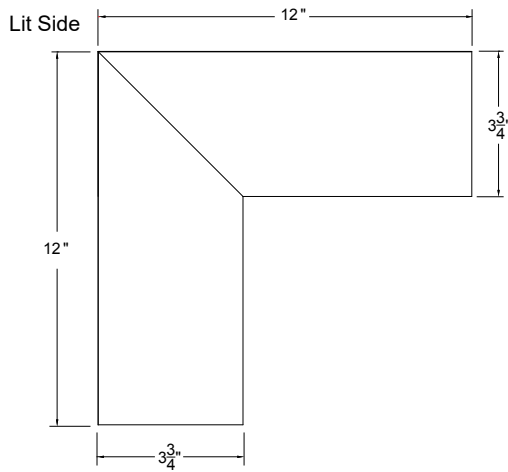
CJL



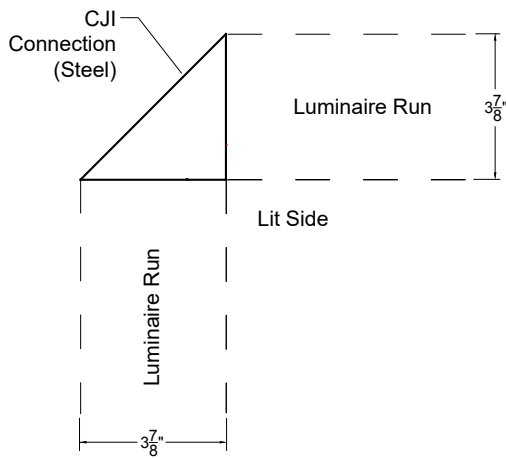
CJT and CJX



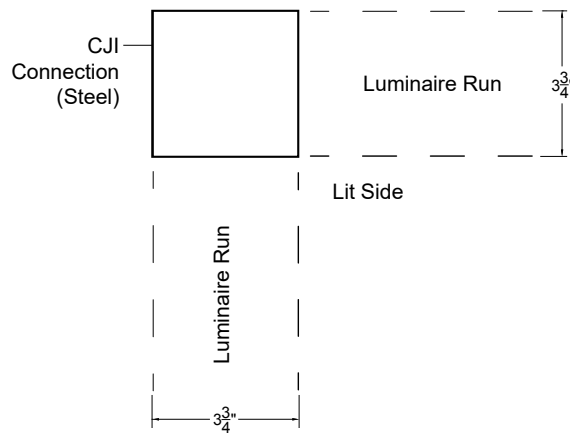
CJO (Outside)



CJI (Inside)



Recessed Styles



Pendant, Surface and Trimless Style

Lutron Driver Ordering Codes

| Nulite Code | Lutron Prefix | Lutron Series | Dim Level | Quantity of Wires | Dim to Dark (Smooth) |
|-------------|---------------|------------------------------------|-----------|-----------------------------|----------------------|
| L11 | PEQ | Hi-Lume™ Premiere | 0.1% | 2 | X |
| L12 | LTEA | Hi-Lume™ 2-Wire 120V forward phase | 1% | No Control Wires - Uses Hot | |
| L15 | LDE1 | Hi-Lume™ H-Series | 1% | 2 | X |
| L16 | LDE5 | Hi-Lume™ 5-Series | 5% | 2 | |

Specifications and dimensions are subject to change without notification.

2019 Rev. E1