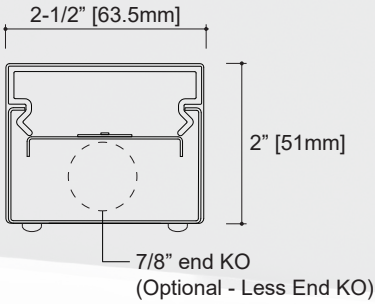
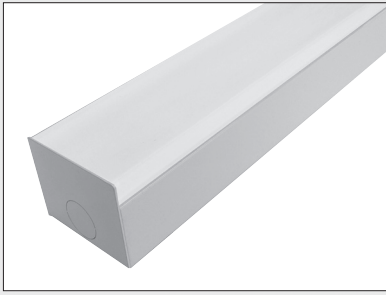
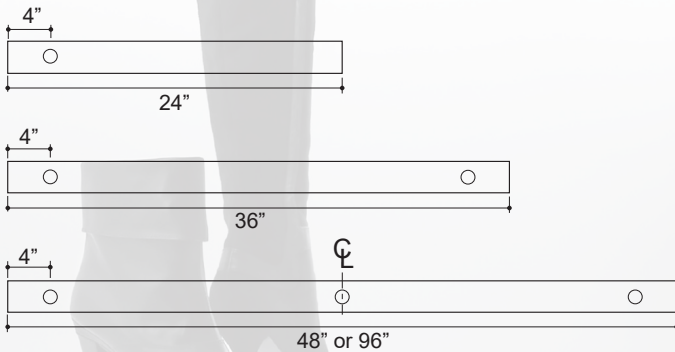


*Specification Grade* LED Strips





Back of Housing KO Locations



The Nulite SA LED series is a specification grade strip utilizing the latest LED technology. Strips are the most versatile luminaires because applications are driven by one's creativity ranging from retail to industrial projects. The form-follows-function design makes this product an ideal lighting instrument to incorporate into architectural features such as coves, slots, millwork and decorative elements.

**Specifications:**

**Construction:** Die formed 20 gauge cold rolled steel housing. Finish is white polyester powder coat paint after fabrication. Consult factory for custom colors. Optional aluminum (painted white) or stainless steel (natural finish) housing.

**Lens:** Extruded frosted acrylic snap-on lens.

**Reflector / Driver:** Reflector / driver cover is finished with high reflectance white paint. Standard constant current electronic driver with 0-10V dimming input; dimming range from 100% down to 10%. Universal (UNV) voltage is from 120 - 277V, 50/60 Hz. Optional drivers available.

**LED Module:** Distributed LED array in a variety of lumen output packages. LED color is available in (L30) 3000K, (L35) 3500K or (L40) 4000K. Module is replaceable. L90 ≥ 100,000 hours.

**Mounting:** Surface

**Labels:** ETL listed, conforms to UL Standard 1598 / 8750 and CSA Standard C22.2.

**Warranty:** 5-year limited warranty on LED and Driver.

**Ordering Information**

Sample: SA-4-05L35-UNV-D-LKO

Series	Length	Lumen Package / LED Color	Voltage	Driver	Options		
SA	2 (ft)	03 (~390 lm/ft, 3.28W/ft)	L30	UNV	Dimming (0-10V)	EM <sup>3</sup> (500) Emergency Battery (500)	
					D <sup>1</sup> (Dim to 10%)		
					D <sup>1</sup> <sup>2</sup> (Dim to 1%)		
	3 (ft)	05 (~568 lm/ft, 4.85W/ft)	L35	120	D <sup>0</sup> <sup>2</sup> (Dim to 0%)	LKO Less End KO	
						AL Aluminum Housing (Painted White)	
	4 (ft)	06 (~724 lm/ft, 6.38W/ft)	L40	277	Lutron Dimming	SS Stainless Steel Housing (Natural)	
					Consult Factory for Ordering Codes		
	8 (ft)	09 (~898 lm/ft, 7.79W/ft)	10 (~1036 lm/ft, 9.39W/ft)	Consult Factory for Custom Lumen Package	DALI Dimming	GLR Fusing	
					eldoLED ECOdrive ELE (Dim to 1%)		QW Quick Through Wiring for Continuous Row Applications
					eldoLED SOLOdrive ELS (Dim to 0%)		

Notes:

- Standard driver, don't connect low-voltage wires for non-dimming applications. Consult factory for specifications and manufacturer.
- Consult factory for specifications and manufacturer.
- Emergency battery pack not available for 2' unit. Consult factory for 3' unit.



Specifications and dimensions are subject to change without notification. Specification sheets on our website supersede all other versions.