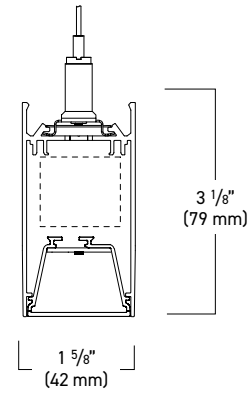


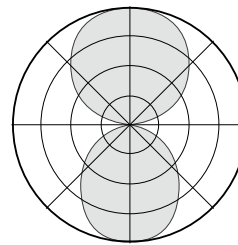
REGOLO 1
RP13
 Bi-Direct

Pendant / Flush Lens
 Integral Driver



- Micro-scale functional pendant luminaire that provides unlimited lighting possibilities for creative design.
- Precision cut extruded aluminum housing. Housing standard finish is electrostatically applied textured white powder coat paint. Optional silver, black, or custom color paint finishes.
- Long-life distributed LED array in a variety of lumen output packages. LED color is available in 3000K, 3500K or 4000K with a CRI of 80 or 90. Custom outputs are available. Module is replaceable. L90>100,000 hours. Tunable white utilizes 50% 2700K and 50% 6500K diodes.
- Innovative high reflective acrylic lens system reduces internal components and utilizes a metal core PCBA that easily snaps into place. Removable for maintenance. Optimizes thermal management.

RP13-B (Flush Frosted Lens)
 45% Downlight / 55% Uplight



Light Output and Energy Consumption*

| Light Level | lm/ft | Watts/ft | Efficacy |
|-------------|--------|----------|----------|
| 03 | 594.0 | 5.1 | 116.0 |
| 05 | 1153.3 | 9.4 | 122.0 |
| 08 | 1664.8 | 14.0 | 119.0 |

Lumen output may vary. 3500K / 80 CRI used for above results.

ORDERING INFORMATION

SAMPLE NUMBER: RP13-B-FF-05L35-1C-U-D-WW-T1/120-4

| RP13-B | FF | | | | | |
|--------|-------------------------------|---------------------------------|---------------------------------|-------------------------------|----------|----------------------|
| SERIES | DIRECT SHIELDING ¹ | INDIRECT SHIELDING ¹ | LUMEN PACKAGE DOWN ² | LUMEN PACKAGE UP ² | CRI/ CCT | CIRCUIT ⁵ |

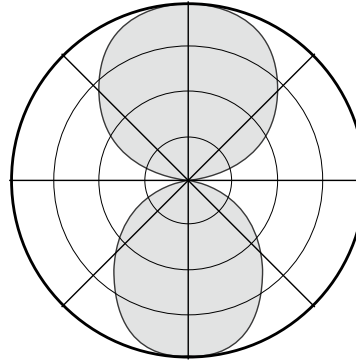
| | | | | | | |
|---|--------------------|--------------------------|---|---|--|--|
| RP13-B - Regolo 1.5" wide, 3" tall bi-direct integral pendant | FF - Flush Frosted | DG - Optional dust guard | 03 - 250 lm/ft 05 - 500 lm/ft 08 - 750 lm/ft XX ³ | 03 - 250 lm/ft 05 - 500 lm/ft 08 - 750 lm/ft 10 - 1000 lm/ft 13 - 1250 lm/ft XX ³ | L30 - 80 CRI, 3000K L35 - 80 CRI, 3500K L40 - 80 CRI, 4000K H30 - 90 CRI, 3000K H35 - 90 CRI, 3500K H40 - 90 CRI, 4000K TW ⁴ - Dynamic white tuning from 2700K to 6500K | 1C - Single Circuit 1E - Single Circuit with EM Circuit 1B6 - Single Circuit with 6W Battery Pack 1B10 - Single Circuit with 10W Battery Pack 2C - Dual Circuit 2E - Dual Circuit with EM Circuit 2B6 - Dual Circuit with 6W Battery Pack 2B10 - Dual Circuit with 10W Battery Pack |
|---|--------------------|--------------------------|---|---|--|--|

| VOLTAGE | DRIVER ⁶ | | LUMINAIRE FINISH | MOUNTING / SUSPENSION LENGTH (IN INCHES) | LENGTH | OPTIONS ⁷ | |
|---|--|---|--|--|---|--|--|
| U - Universal 1 - 120 Volt 2 - 277 Volt | Dimming 0-10v D - Dim to 1% (Standard) DO - Dim to 1%, fade to off D02 - Eldoled Solodrive, dims to 0% Tunable White TWV - 0-10V, dims to 0% TWD - DALI Eldoled Dualdriver, dims to 0% | DALI Dimming ELE - Eldoled Ecodrive, dims to 1% ELS - Eldoled Solodrive, dims to 0% Lutron Dimming L11 - Lutron HiLume™ Premier, dims to 0.1% L12 - Lutron HiLume™ 2-Wire 120V Forward Phase, dims to 1% L15 - Lutron HiLume™ H-Series, dims to 1% L16 - Lutron HiLume™ 5-Series, dims to 5% | W - White (Standard) S - Silver B - Black CC ¹ - Custom Color CANOPY FINISH W - White (Standard) B - Black | A/C to Grid Ceiling T1 / 48 T1 / 120 T9 / 48 T9 / 120 TS / 48 TS / 120 | A/C to Structure Ceiling GP / 48 GP / 120 | 2 - 2 ft 3 - 3 ft 4 - 4 ft 5 - 5 ft 6 - 6 ft 7 - 7 ft 8 - 8 ft XX ⁷ - x ft | N - Nightlight DS - Daylight sensor OS - Occupancy sensor GTD ⁸ - Generator transfer device ETS ⁹ - Electronic transfer switch GLR - Fusing |

PHOTOMETRICS

RP13 FLUSH LENS
BI-DIRECT DISTRIBUTION

Cat# RP13-B-FF-05L35-1C-U-D-W-4
ITL Test #: ITL91205
Total Delivered Lumens: 4613
Input Watts: 37.7
Efficacy: 122 lm/W
45% Downlight
55% Uplight



Luminance Data (CD/SQ.M)

| Angle in Degrees | Average 0-Deg | Average 45-Deg | Average 90-Deg |
|------------------|---------------|----------------|----------------|
| 45 | 15178 | 14509 | 13748 |
| 55 | 13724 | 13049 | 12299 |
| 65 | 12112 | 11552 | 10891 |
| 75 | 9806 | 9640 | 9390 |
| 85 | 5429 | 7156 | 7897 |

Zonal Lumen Summary

| Zone | Lumens | %Fixt |
|--------|--------|-------|
| 0-30 | 646 | 14 |
| 0-40 | 1024 | 22 |
| 0-60 | 1702 | 37 |
| 0-90 | 2083 | 45 |
| 90-120 | 488 | 11 |
| 90-130 | 925 | 20 |
| 90-150 | 1847 | 40 |
| 90-180 | 2530 | 55 |
| 0-180 | 4613 | 100 |

LIGHTING CONTROL

Nulite provides flexibility in meeting the needs of each project by easily integrating with several manufacturers for lighting control options.

0-10V: A non-directional dimming system. The control system tells the LED driver what to do and it adjusts according to the voltage on the control circuit.

DALI: Digital Addressable Lighting Interface is a simple two-wire control connection that goes to each fixture to form the control network. It allows LED drivers to be controlled independently from lighting control circuits.

TUNABLE WHITE: Aims to create lighting environments that are optimal for visual, mental, and biological health by being able to tune the color temperature of a light source. Utilizes a number of controllable channels to adjust the color temperature of the luminaire's white light output with precise varying of color temperature from a warm tone to a cool tone.

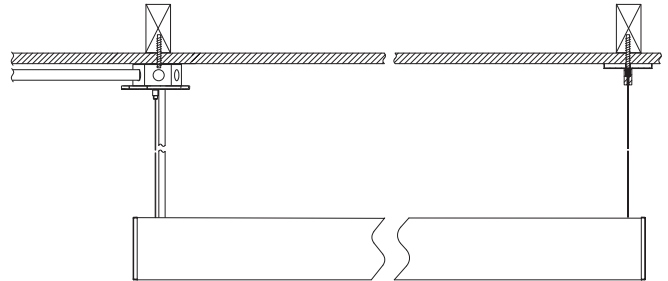
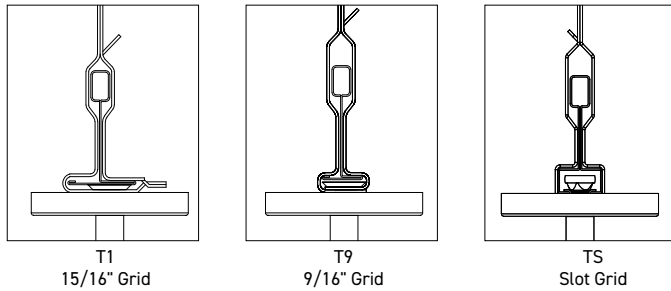
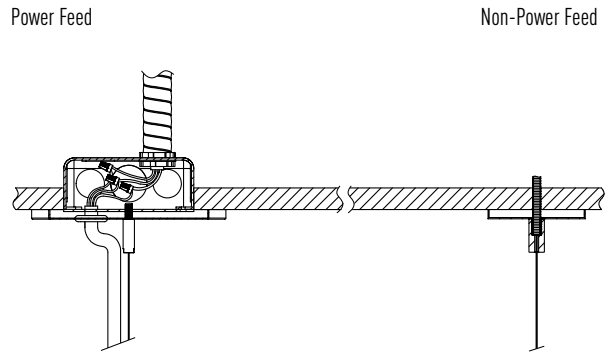
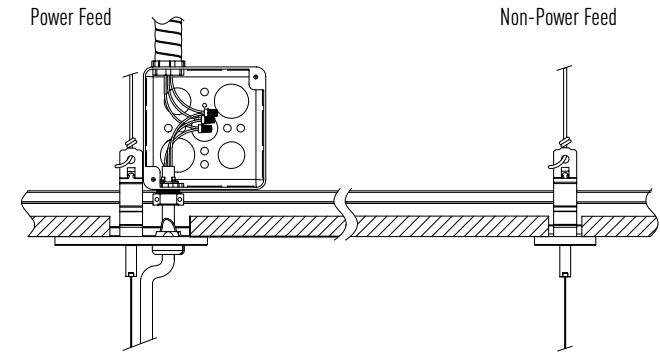
| Solution | Manufacturer | Prefix | Series | Dim Level | Quantity of Wires | Dim to Dark (Smooth) | Fade to Off |
|-----------------------|--------------|--------|------------------------------------|-----------|-----------------------------|----------------------|-------------|
| Dimming 0-10V | | | | | | | |
| D | Variable | | | 1% | 2 | | |
| D0 | Variable | | | 1% | 2 | | X |
| D02 | eldoLed | | SOLOdrive | 0% | 2 | X | |
| DALI Dimming | | | | | | | |
| ELE | eldoLed | | ECOdrive | 1% | 2 | X | |
| ELS | eldoLed | | SOLOdrive | 0% | 2 | X | |
| Tunable White | | | | | | | |
| TWW - 0-10V | Variable | | | 0% | 2 | X | |
| TWD - DALI | eldoLed | | DUALdrive | 0% | 2 | X | |
| Lutron Dimming | | | | | | | |
| L11* | Lutron | PEQ | Hi-Lume Premier | 0.1% | 2 | X | |
| L12 | Lutron | LTEA | Hi-Lume™ 2-Wire 120V forward phase | 1% | No Control Wires - Uses Hot | | |
| L15 | Lutron | LDE1 | Hi-lume™ - H Series | 1% | 2 | X | |
| L16 | Lutron | LDE5 | 5-Series | 5% | 2 | | |

*Maximum lumen package is 03

INTEGRAL DRIVER PENDANT INSTALLATION DETAILS

A/C TO GRID CEILING (OPTION T1, T9 OR TS)

A/C TO STRUCTURE CEILING



STANDARD LENGTHS

STANDARD SHAPES

ORDERING EXAMPLE FOR STANDARD LENGTH

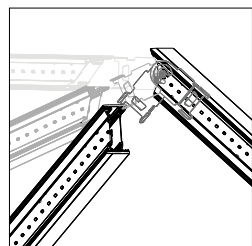
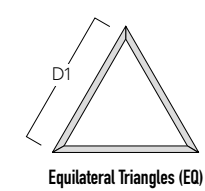
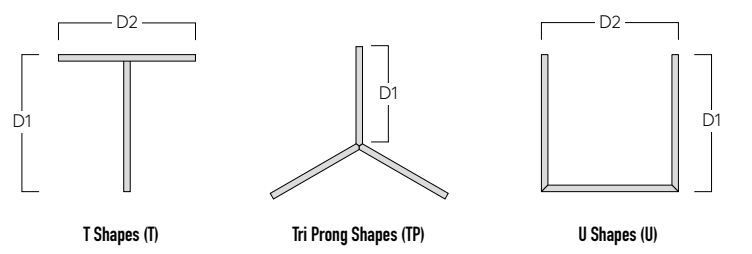
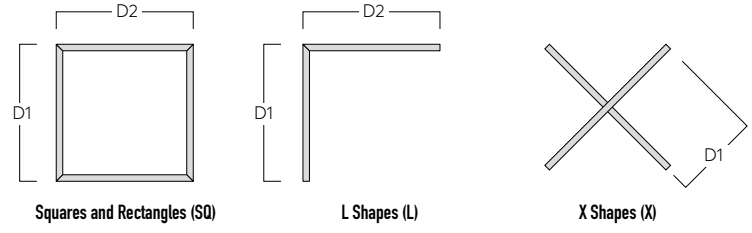
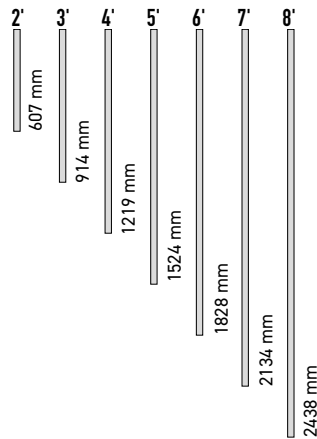
ORDERING EXAMPLE FOR (U) SHAPE

RP13-B-FF-05L35-1C-U-D-W-T1/48-22'

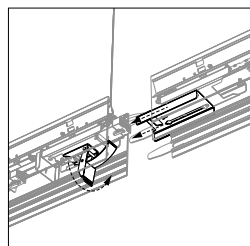
RP13-B-FF-05L35-1C-U-D-W-T1/48-U/D1-8'/D2-15'

Lines

For linear individuals and continuous linear runs, specify run lengths to the nearest 6" for standard configurations. Nulite can achieve lengths to the nearest 1/8" if necessary, custom drawings and lead times may apply.



Adjustable Bracket design



Tool less continuous joining

Note:

Although these are standard shapes, take offs and shop drawings may be required depending on field conditions, ceiling type, etc. Consult your local Nulite rep with questions and concerns

PRODUCT DETAILS

LIGHT SOURCE LED custom linear array is mounted with quick-connect wiring to facilitate service. A wide array of lumen packages are available. All luminaire configurations tested in accordance with IESNA LM-79. Diodes tested in accordance with IESNA LM-80.

DRIVER Standard constant current integral electronic driver with 0-10V dimming input standard; dimming range from 100% down to 1%. Dims to 0%, DALI, and Tunable white available. Universal (U), 120 volt (1), and 277 volt (2).

OPTIONAL TUNABLE WHITE Aims to create environments that are optimal for visual, mental, and biological health by being able to tune the color temperature of a light source. Utilizes a number of controllable channels to adjust the color temperature of the luminaire's white light output with precise varying of color temperatures from a warm tone to a cool tone.

OPTIONAL DALI Digital Addressable Lighting Interface is a simple two-wire control connection that goes to each fixture to form the control network. DALI enables dimmable transformers, relay modules, emergency fittings, and controllers from different manufacturers to be mixed and matched into a single control system, allowing LED drivers to be controlled independently from lighting control circuits.

OPTIONAL BATTERY AND EMERGENCY OPTIONS Recyclable Ni-Cad battery pack, battery run time is 90 minutes. Recharge time of 24 hours. 6W or 10W battery packs are available. Total output is determined by exact efficacy

of specific configuration multiplied by battery wattage (i.e. RP13-B-FF-05L35-1C-U-D-W-4 with a 10W battery pack is a 1220 battery lumen output). Battery option not available in less than 4' lengths. Entire direct fixture housing is on battery for lengths up to 5'. 4' of direct fixture is on battery for 6' - 8' housing lengths. For bi-direct fixtures less than 72", the battery will be split equal power for the direct and indirect portions. For bi-direct fixtures 72" and longer, the full power of the battery will power 4' of the direct portion. Emergency or night light circuit available.

SECURE TOOL-FREE JOINING DESIGN A dynamic mechanism that ensures stable positioning, no light leak, and speeds up installation in continuous rows. Constructed with spring steel over center draw latch, 22 gauge thick.

FLEXIBLE JOINING DESIGN Mitered corners in 45-degree, 60-degree, 90-degree, 120-degree, and 135-degree for ultimate design capabilities. Constructed with spring steel over center draw latch, 22 gauge thick. Utilizes tool-free joining design. Consult factory for custom angles.

MOUNTING Designed to install into grid (T1, T9 or TS clips), inaccessible, and surface ceilings. Aircraft cable suspended, individual mount or continuous runs. Supplied with 5" (127mm) power and 2" (50.8 mm) non-power canopies. Refer to installation instructions for appropriate ceiling detail.

WARRANTY 5-year limited warranty on LED and driver from date of shipment. Refer to the full warranty details on www.nulite-lighting.com.

LUMINAIRE LENGTH Any length, 2-foot minimum, in increments down to 6". 8-foot maximum section length. 50-foot maximum continuous run length per circuit.

WEIGHT ~1.5 lbs/ft.

APPROVALS ETL listed, conforms to UL Standard 1598 / 8750 and CSA Standard C22.2, indoor dry/damp locations.

INDEPENDENT TESTING

IESNA LM79 - Testing method for the Electrical and Photometric Measurements of Solid State Lighting on the complete system, such as luminous flux, electrical power, luminous intensity distribution, and various properties of chromaticity.

IESNA LM80 - Testing method for measuring lumen maintenance of LED light sources, applies to the LED package, array or module alone, not the complete system.