

Precision High Bay



— NULITE —



Think architectural.

The Precision High Bay series is more than an industrial luminaire.

Cafeteria...

Wholesale...

Gymnasium...

Supermarket...

The petite profile of the one-light and two-light lends well to interior architectural spaces. The anodized aluminum finish and exposed fasteners add an industrial flair to the environment.



Retail...

Manufacturing...

Multipurpose Space...

Auto Dealership...

Energy Efficient

T5 / T5HO / T8

Anodized Aluminum Finish

- 1** Heat sink, extruded aluminum body with clear anodized finish and linear reveal accents.
- 2** Anodized aluminum end plates with a 7/8" end KO. Exposed fasteners for an industrial appearance.
- 3** Die formed Miro[®]4 specular anodized aluminum reflector with tool-less removal to service ballast.
- 4** Optional door frame / clear acrylic lens with wireguard. Door frame cam latches allow for tool-less maintenance.



Product Features

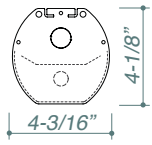


- 5** Rotary lamp holder for positive lamp retention.
- 6** Top rail provides flexible mounting locations.
- 7** Optional uplight (available for 4, 5 and 6 lamp cross-sections). Two, linear prism, clear acrylic lenses provide an uplight component.
- 8** Optional side mount occupancy sensor.
- 9** Snap-in, extruded frosted linear prism acrylic lens with 25% DR (1-lamp cross-section only).

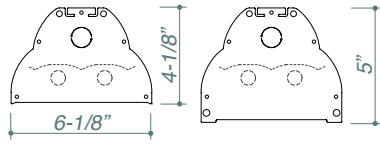


Configurations

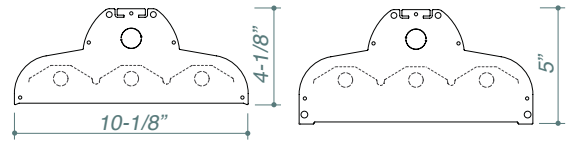
1-Lamp



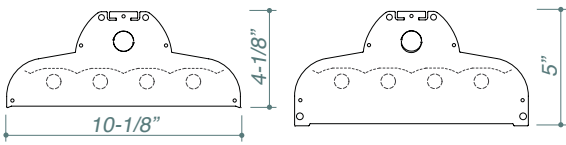
2-Lamp



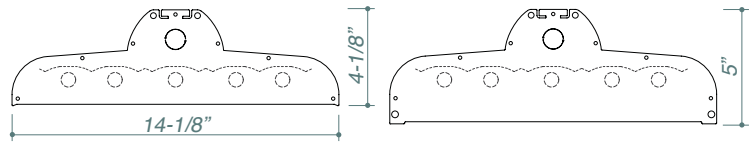
3-Lamp



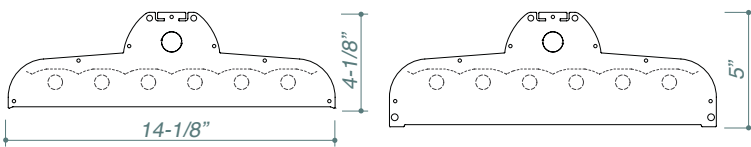
4-Lamp



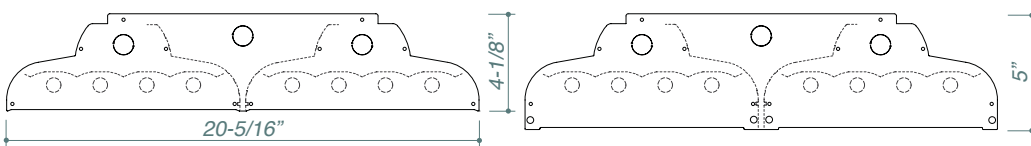
5-Lamp



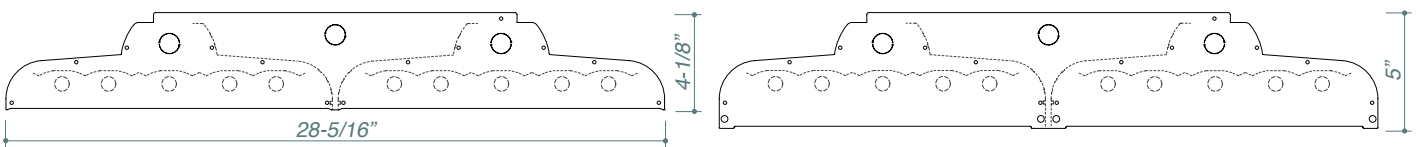
6-Lamp



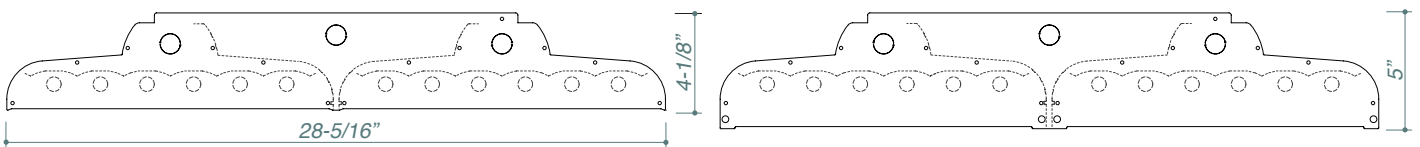
8-Lamp



10-Lamp

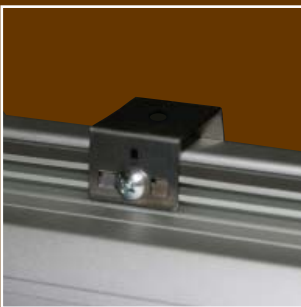


12-Lamp



Mounting Options

Surface Mounting Clip



3' Chain Set



10' Adjustable Aircraft Cable

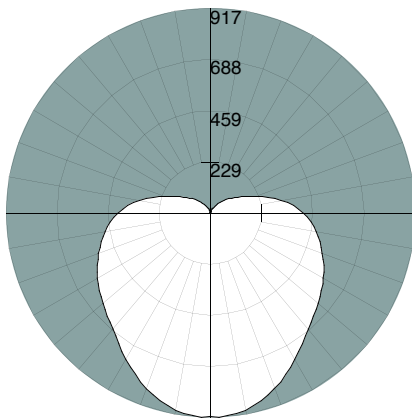


Hub Mounting with Access

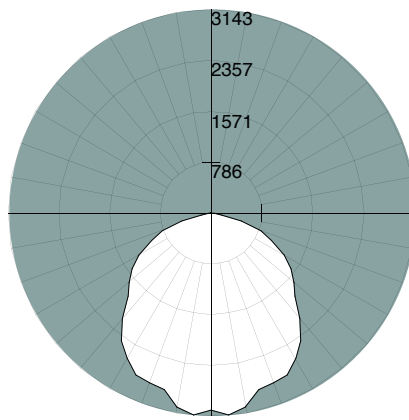


Photometry

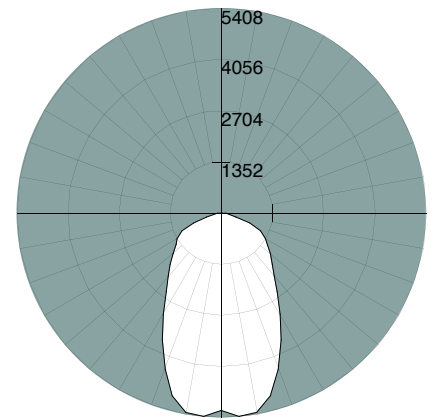
The Precision High Bay Series is designed for long life, energy efficient fluorescent lamp sources and specification grade ballast. A variety of light distributions are available depending on the type and number of lamps. The PH Series can provide the appropriate illumination level for your next application.



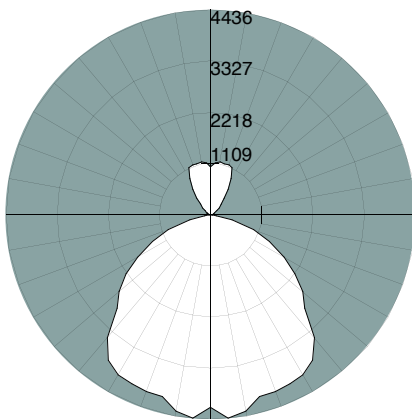
PH-154T5HO...



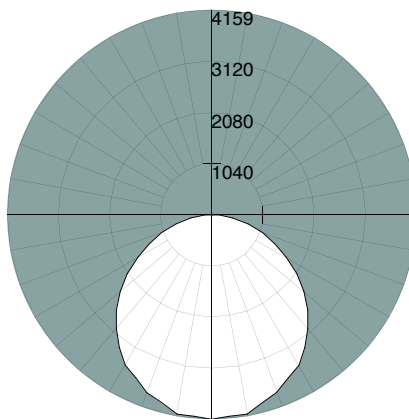
PH-254T5HO...



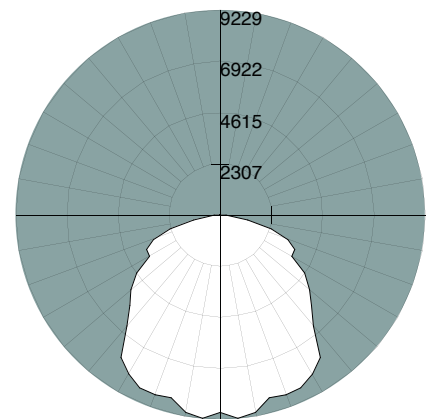
PH-354T5HO...-CL



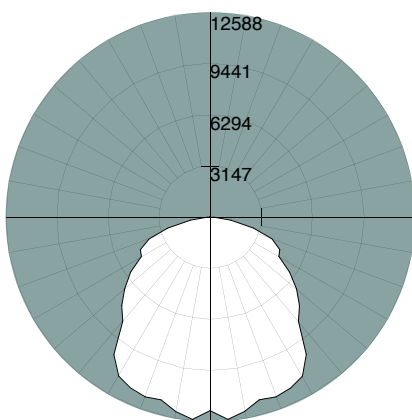
PH-454T5HO...-UP-CL



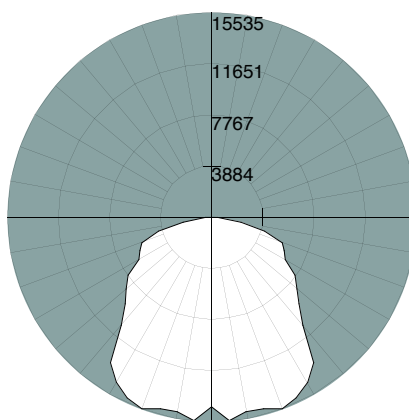
PH-532T8...



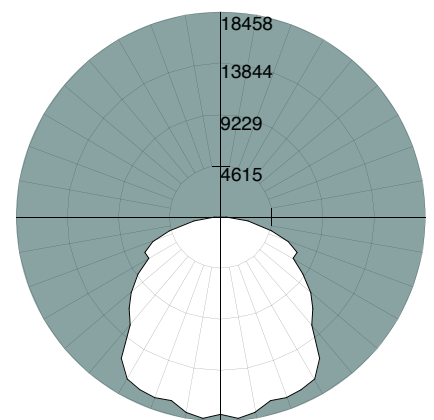
PH-654T5HO...



PH-854T5HO...



PH-1054T5HO...



PH-1254T5HO...



(Optional Door Frame / Clear Lens and Wireguard)

The Nulite PH series is a multi-piece extruded aluminum, energy efficient, fluorescent high bay luminaire designed for T8, T5 and T5HO lamps. These luminaires are ideal for applications where a robust housing is required. The anodized aluminum finish provides an industrial aesthetic appearance.

Specifications:

Construction: Multi-piece, 0.070" thick extruded aluminum housing with 0.060" thick aluminum end caps. Optional extruded aluminum door frame with latch/hinge for tool-less maintenance. Standard finish is clear anodized aluminum.

Lens: Optional clear acrylic or clear polycarbonate lens. (One-lamp unit) Standard snap-in extruded frosted linear prism acrylic with 25% DR.

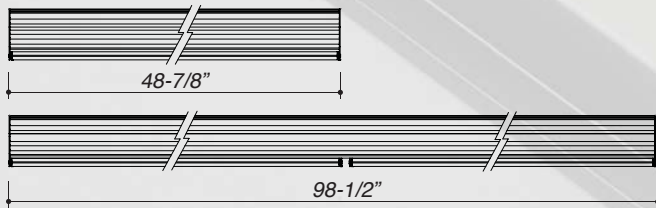
Reflector / Ballast: Die formed Miro®4 highly specular anodized aluminum reflector. Tool-less entry from below to ballast for quick maintenance. (One lamp unit) Die formed ballast cover/pan finished with high reflectance white paint. Standard electronic, Class P, ballast. Universal (UNV) voltage ballast is from 120 to 277V.

Lamping: 1 through 12 lamp cross-section in T5, T5HO or T8. Rotary sockets are standard. Add "8" after wattage code for nominal 8' housing, tandem lamp configuration. Luminaire can be ordered with lamps, consult factory.

Mounting: Surface or Suspended; Individually or Continuous.

Labels: UL / cUL listed for damp location.

Lengths



'UP' Option⁴

Two, linear prism, clear acrylic lenses provide an upright component.

Ordering Information

Sample: PH-432T8-UNV-PSN-CL-WG-3C

Series	Lamp	Wattage	Voltage	Ballast	Options	Mounting
PH						
	1	28T5	UNV	T8 Options	EM ³ Emergency Battery Pack	SF Surface Mount Clips
	2	54T5HO	120	IS (Standard)	CL Door Frame / Clear Lens	3C 3' Chain Set
	3	32T8	277	PS	GLR Fusing	CAC 1/4-20 Coupler 10' (Aircraft Cable)
	4	28T5-8	347 ²	HEIS	POLY Door Frame / Polycarbonate Lens	LAC Loop End 10' (Aircraft Cable)
	5	54T5HO-8	480 ²	HEPS	SJT/6 6' SJT Cord	HM ⁵ Hub Mounting for 3/4" Rigid Conduit (By Others)
	6	32T8-8		T5/T5HO	CP3/6 6' SJT Cord Plug	CR ⁶ Continuous Row Mounting
	8 ¹			PS (Standard)	WG ⁶ Wireguard	QW Quick through wiring for continuous row applications
	10 ¹			HEPS ²	OS Occupancy Sensor	
	12 ¹			All Lamp Dimming Options	UP ⁴ Uplight	
				DIM ² Dimming		
				SD ² Step Dimming		
			IS=Instant Start			
			PS=Program Start			
			HEIS=High Efficiency Instant Start			
			HEPS=High Efficiency Program Start			
				S65 ² (T8 or T5HO)		
				Sylvania Lamp / Ballast Combination Option		
				Sylvania "XL" Extended Life Lamps up to 60,000 hrs (12 hours / start) (specify lamp color temperature)		
				Sylvania Programmed Start Ballast		
				Sylvania's System 5 yr. Warranty		

Notes:

- Two housings joined together via end plates.
- Consult factory.
- Specific voltage must be ordered for this option.
- Available for 4, 5 and 6 light cross-sections.
- Individual mounting only.
- Not for all configurations, consult factory.